



# Secure Temp<sup>®</sup> ASHT

1" Insulated Stainless Steel, High-Temperature  
Chimney



## At Security Chimneys, we have been manufacturing chimney since 1960

That makes us one of the oldest manufacturers of venting products in North America.

The knowledge & experience gained over the years is reflected in the quality of the venting products we offer today. Secure Temp ASHT is a perfect example. This high-quality all-fuel chimney was introduced in 1978 and was quickly adopted by professional installers for use with factory-built fireplaces.

Since then, a number of enhancements have been made for use with freestanding stoves. Hearth professionals favour ASHT for its slim profile and smaller frame size; ideal for tight spaces. The lighter weight also makes it easy on the back; an important feature for installers who climb ladders every day.

Even better – unlike some competitors, when enclosed ASHT requires no continuous shields to meet Canada’s CAN/ULC-629 Standard.



# Secure Temp ASHT Features & Benefits

FEATURES	BENEFITS
Proven engineered design with inner flue and outer casing both made of sturdy, high-quality, corrosion-resistant stainless steel	<ul style="list-style-type: none"> <li>• Long, dependable service life means this will be the last chimney your home will ever need</li> </ul>
Free-Floating stainless inner flue	<ul style="list-style-type: none"> <li>• Flue is fixed only to male coupler on one end leaving it free to accommodate thermal expansion &amp; contraction</li> <li>• Minimizes risk of metal fatigue and associated buckling / tearing that can occur with use; especially during chimney fires</li> </ul>
Laser-Welded Inner and Outer Seams	<ul style="list-style-type: none"> <li>• Enhances vertical strength</li> <li>• Eliminates potential source of leakage</li> <li>• Improves product quality &amp; consistency</li> </ul>
Twist-Lock Assembly with End Couplers	<ul style="list-style-type: none"> <li>• Enables quick connection of pipe lengths in seconds with just a 1/8th turn</li> <li>• Eliminates need for awkward locking bands</li> <li>• Multi-point contact between couplers combined with generous overlap adds cross-sectional strength and reliable joint connection</li> </ul>
One-inch wall thickness filled with exclusive Secura Plus insulation that will not shift or settle	<ul style="list-style-type: none"> <li>• Insulation helps to keep the heat in and the cold out</li> <li>• Maintains higher flue-gas temperatures for fast start-ups and stable draft performance</li> <li>• Reduces condensation and related creosote deposits – the fuel that feeds a chimney fire</li> <li>• Eliminates risk of hot-spots</li> </ul>
Slim, compact profile and lower weight yet still permits installation with as little as 2" clearance-to-combustibles	<ul style="list-style-type: none"> <li>• Fits within a smaller frame and enclosure making it ideal for use in both renovation and new construction</li> <li>• ASHT is easy on the back - 6" diameter weighs in a just 5.2 lbs. per linear foot</li> </ul>
No need for continuous shields when enclosed	<ul style="list-style-type: none"> <li>• Eliminates cost of extra parts &amp; labour</li> <li>• Simplifies installations</li> </ul>
Heavy-Duty Ceiling Supports with Integrated Coupler & Flue Extension	<ul style="list-style-type: none"> <li>• Factory-assembled as a single part to minimize air leakage around chimney</li> <li>• Reduces number of parts needed and simplifies installation</li> </ul>
Wide variety of insulated components and vapor-barrier friendly designs to match today's high-efficient homes	<ul style="list-style-type: none"> <li>• Keeps heating dollars in the home instead of being lost through walls &amp; ceilings</li> <li>• Taller shields to suit deeper attic insulation levels</li> <li>• Ability to seal around chimney minimizes potential air leakage</li> <li>• Reduces risk of severe condensation in cold climates</li> <li>• Helps to prevent water damage within exterior walls and within ceiling / roof assemblies</li> </ul>
Universal Support Hardware	<ul style="list-style-type: none"> <li>• Roof Brace, Roof Support, Wall Support, and Wall Band all feature universal collar that can be sized to fit any diameter of ASHT pipe</li> </ul>
Industry's BEST Limited Lifetime Warranty	<ul style="list-style-type: none"> <li>• Unlike most others, our warranty is TRANSFERABLE to a future owner (competitor warranties are good only to the original purchaser)</li> <li>• Adds value for both the homeowner and prospective homeowner</li> </ul>

## Specifications

### Applications

ASHT is a double-wall, all-fuel chimney system for use with wood stoves, wood fireplaces and other appliances using wood, oil, gas, or coal.

### Materials and Construction

.016" 441 stainless steel inner wall.  
.016" 430 stainless steel outer wall.  
1" high-temperature mineral fiber insulation. Laser welded seam.

### Clearances

2" clearance to combustibles

### Diameters

5", 6", 7", 8", 10"

### Listings

CAN/ULC-629 - 6", 7", 8"  
CAN/ULC-604, and UL 103HT



## CAN/ULC-629, CAN/ULC-604, and UL 103HT System

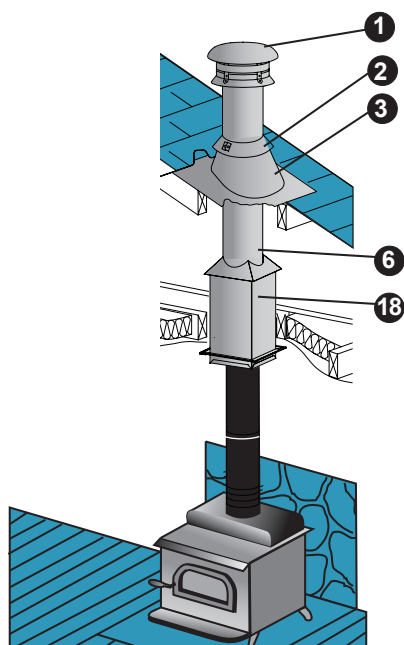
### ASHT

ASHT is a double-wall, all-fuel chimney system for use with wood stoves, wood fireplaces and other appliances using wood, oil, gas, or coal. The use of stainless steel, selected for its resistance to high temperatures and corrosion, lends outstanding durability to the ASHT high-temperature chimney.

ASHT features 1" of high-temperature mineral fiber insulation. This insulation minimizes heat loss through the chimney walls and can withstand intense heat. The free-floating inner lining is attached only to the male coupler at the top, expanding and contracting freely with temperature fluctuations. The external casing carries the structural load. All ASHT pipe lengths, elbows, and other fittings feature fast and easy twist-lock assembly with just one-eighth turn. Even better, ASHT uses universal support hardware to speed up installation and to dramatically reduce the number of SKUs you need to keep in inventory.



## Typical Installations

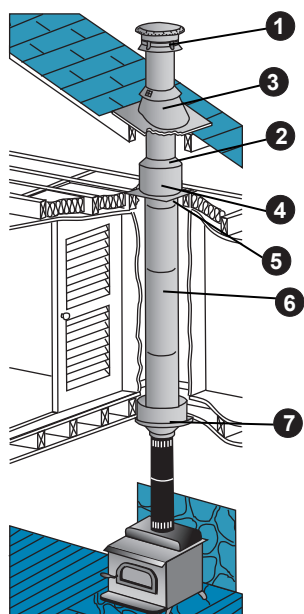


Single-Story Woodstove

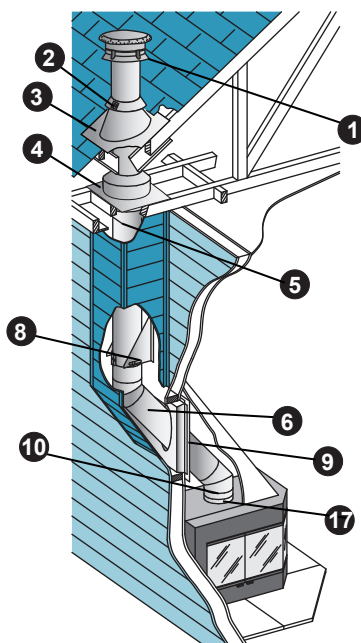
Installation Key			
1	Vertical Cap	11	Floor Support
2	Storm Collar	12	Flue Extension
3	Adjustable Roof Flashing	13	Tee
4	Attic Radiation Shield	14	Wall Thimble
5	Firestop	15	Tee Cap
6	Length	16	Tee Support
7	Finishing Support	17	Anchor Plate (optional)
8	Wall Support	18	Reduced Clearance Support
9	Wall Radiation Shield		
10	Elbow		

- Refer to our Typical Venting Installation drawings to select the appropriate component parts for your installation.

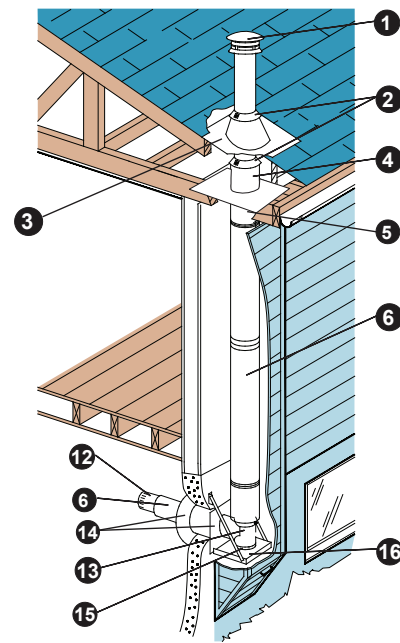
- Always refer to installation instructions for complete information.



Multi-story Woodstove



Fireplace through exterior insulated chase



Exterior installation to a wood stove

For guidance in selecting stovepipe components, see our catalog for Ultimate Stovepipe (USP).

### Loadbearing Capacity

Please reference the chart below for each diameter's and supports load bearing capacity. Maximum height in feet.

Ø Interior	5"	6"	7"	8"	10"
Floor Support Plate	32	32	32	32	32
Reduced Clearance Support	--	60	50	45	--
Adjustable Tee Support	63	63	55	48	39
Roof Support	42	34	27	24	20
Wall Support	30	28	24	20	
Square Cathedral Support	--	60	50	45	35
Finishing Support	--	75	65	59	--

### Size of Openings

The size of the opening may vary depending on the pitch of the roof.

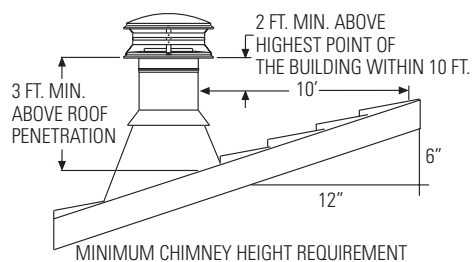
Always maintain the minimum 2" clearances to the chimney. The only exception to this rule is with Reduced Clearance Supports (RCS). Consult our instructions.

Ø Interior	5"	6"	7"	8"	10"
Floor Support Plate	11 3/8"	12 3/8"	13 3/8"	14 3/8"	16 3/8"
Finishing Support	11 3/8"	12 3/8"	14 3/8"	14 3/8"	--
Roof Support	11 3/8"	12 3/8"	13 3/8"	14 3/8"	16 3/8"
Wall Thimble	11 3/8"	12 3/8"	13 3/8"	14 3/8"	16 3/8"
Firestop	11 3/8"	12 3/8"	13 3/8"	14 3/8"	16 3/8"
Cathedral Support	--	12 3/8"	14 3/8"	14 3/8"	--
Reduced Clearance Support	--	10 1/8"	11 1/8"	12 1/8"	--

### General Specifications

Ø int.	Ø ext.	Insulation thickness	Weight	Twist-Lock assembly	Clearance
5"	7"	1"	4.1 lb./ft.	YES	2"
6"	8"	1"	5.2 lb./ft.	YES	2"
7"	9"	1"	6.4 lb./ft.	YES	2"
8"	10"	1"	7.2 lb./ft.	YES	2"
10"	12"	1"	8.9 lb./ft.	YES	2"

## Planning Your Installation



**Figure 1**

The following recommendations are a general guideline to assist in the layout and selection of the chimney components needed for your installation. Always follow ASHT Installation instructions when installing your chimney system (enclosed with any support). Installation instructions can be viewed online at [www.securitychimneys.com](http://www.securitychimneys.com).

- The diameter of the chimney should match the outlet size of the appliance. An improperly sized chimney results in poor draft and excessive creosote formation.
- Measure the diameter of the appliance flue outlet. Select the chimney connector stovepipe with the same size diameter as the appliance flue outlet.
- Determine if the installation is a through-the-roof installation or a through-the-wall installation. A through-the-wall installation will require additional components (Wall Thimble, Tee/Cap, Tee Support, Wall Bands, Flue Extension, and Decorative Collar).
- Install the chimney in the interior of the structure whenever possible. A cold exterior chimney will produce less draft and will generate more creosote.
- If possible avoid offsets that serve to restrict the natural draft. A straight vertical installation is more efficient and less likely to develop creosote. If an offset is required to avoid rafters or other obstructions, measure the horizontal distance required and the vertical height available. 15°, 30° and 45° elbows are available. (Note: 45° elbows are only allowed in Canada. The maximum angle allowed in the U.S. is 30°.) A maximum of two offsets (four elbows) in a single installation are permitted. At least one suitable support is required for each offset.
- Determine the minimum chimney height above the roof line. Building codes require a minimum of 3' above the roof penetration and at least 2' higher than any portion of a building within 10'. See Figure 1. The termination cap is installed above that point. If chimney is more than 5' above the roof penetration a Roof Brace is required.
- Measure the roof pitch. For example, a 6/12 pitch has a vertical rise of 6" over a horizontal distance of 12". Select the appropriate flashing.
- Determine the total length of chimney and stovepipe required for the installation. To calculate the installed length of 6"-8" ASHT chimney pipe, subtract 1 1/4" per joint. Subtract 1 3/8" per joint of USP stovepipe. Minimum chimney height, at sea level, of straight vertical chimney, is 10' to 15' above the appliance outlet. Higher elevations, or the use of elbows or a tee, will require approximately 30% to 60% more height to provide for an adequate draft.
- Be fire safe. Maintain at least 2" clearance to combustibles. Follow local building codes and have your chimney inspected by a certified professional.

### Wall Support Kit



Through-Wall Option #1: Kit includes: Insulated Wall Thimble, Tee, Twist-Lock Tee Cap, Wall Support, Wall Band, Flue Extension, Decorative Sleeve, and Vertical Cap.

With this option, Tee can be positioned above or below Wall Support.

SIZE	6"
ORDER #	6WSK-2

### Exterior Kit



Through-Wall Option #2: Kit includes: Insulated Wall Thimble, Tee, Twist-Lock Tee Cap, Tee Support with Coupler, Wall Band, Flue Extension, Vertical Cap, Decorative Sleeve, and Spark Arrester.

With this option, Tee is positioned on top of Tee Support.

SIZE	6"
ORDER #	6EK-2

### Interior Kit

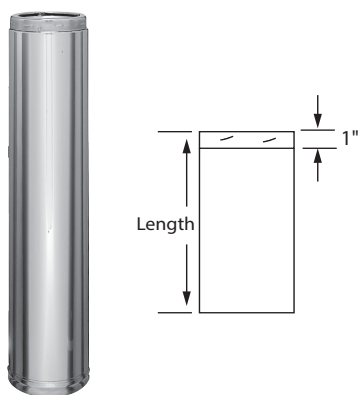


Kit includes: Round Finishing Support with removable trim collar, Adjustable Attic Radiation Shield, and Vertical Cap.

SIZE	6"
ORDER #	6IKNC



## Pipe Length

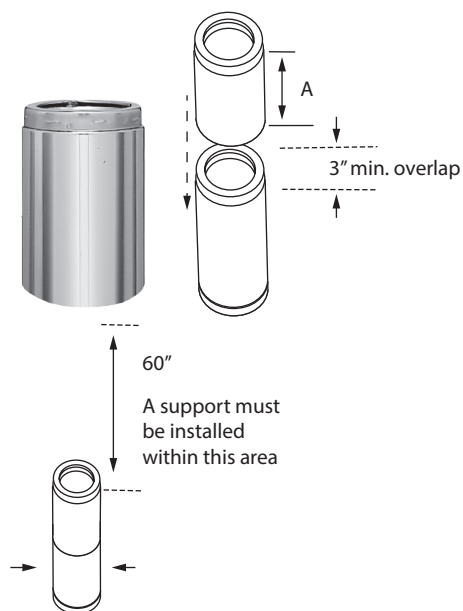


Available in sizes from 5 - to 10-inch diameters, the ASHT line offers double-wall, 1-inch insulated chimneys. Lengths twist-lock together with just an 1/8th rotation.

**FOR USA ONLY: Available in Alu-Zinc outer casing for 6", 7", 8" (CODE GL)**

SIZE		5"	6"	7"
Weight per foot (lbs)		4.1	5.2	6.4
LENGTH	EFFECTIVE LENGTH	ORDER #	ORDER #	ORDER #
8"	6 3/4"	5L8-2	6L8-2	7L8-2
12"	10 3/4"	5L12-2	6L12-2	7L12-2
18"	16 3/4"	5L18-2	6L18-2	7L18-2
24"	22 3/4"	5L24-2	6L24-2	7L24-2
36"	34 3/4"	5L36-2	6L36-2	7L36-2
48"	46 3/4"	5L48-2	6L48-2	7L48-2
SIZE		8"	10"	
Weight per foot (lbs)		7.2	8.9	
LENGTH	EFFECTIVE LENGTH	ORDER #	ORDER #	
8"	6 3/4"	8L8-2	10L8-2	
12"	10 3/4"	8L12-2	10L12-2	
18"	16 3/4"	8L18-2	10L18-2	
24"	22 3/4"	8L24-2	10L24-2	
36"	34 3/4"	8L36-2	10L36-2	
48"	46 3/4"	8L48-2	10L48-2	

## Adjustable Pipe Length



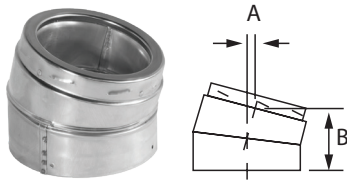
Used in combination with straight insulated lengths, the adjustable length makes it possible to fit a length perfectly, either vertically, horizontally, or at an angle.

**IMPORTANT:** The adjustable length is not designed as a load bearing component. Its vertical installation requires an appropriate support on the section above it to bear the weight of the remaining installation.

**FOR USA ONLY: Available in Alu-Zinc outer casing for 6", 7", 8" (CODE GL)**

SIZE	5"	6"	7"
A	11 1/4"	11 1/4"	11 1/4"
LENGTH	ORDER #	ORDER #	ORDER #
12"	5LA-2	6LA-2	7LA-2
SIZE		8"	10"
A	11 1/4"	11 1/4"	
LENGTH	ORDER #	ORDER #	
12"	8LA-2	10LA-2	

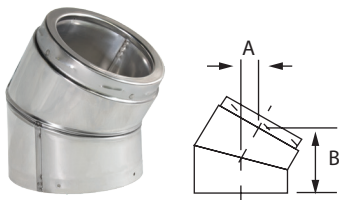
### 15° Elbow



Use to offset chimney around obstacles such as a joist or truss. A maximum of two offsets (4 elbows) is permitted. Each elbow is sold individually. **FOR USA ONLY: Available in Alu-Zinc outer casing for 6", 7", 8" (CODE GL)**

SIZE	5"	6"	7"	8"	10"
A			1/2"		
B			4 1/2"		
ORDER #	5E15-2	6E15-2	7E15-2	8E15-2	10E15-2

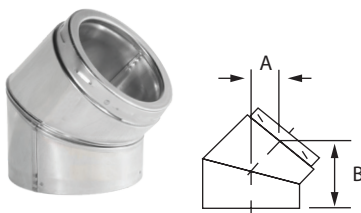
### 30° Elbow



Use to offset chimney around obstacles such as a joist or truss. A maximum of two offsets (4 elbows) is permitted. Each elbow is sold individually. **FOR USA ONLY: Available in Alu-Zinc outer casing for 6", 7", 8" (CODE GL)**

SIZE	5"	6"	7"	8"	10"
A			2"		
B			7 1/2"		
ORDER #	5E30-2	6E30-2	7E30-2	8E30-2	10E30-2

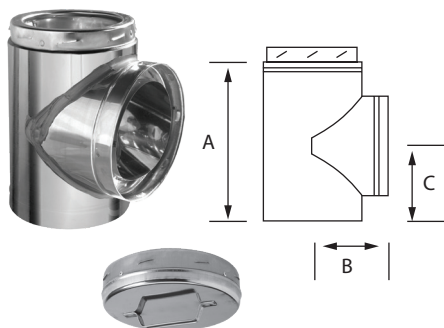
### 45° Elbow



Use to offset chimney around obstacles such as a joist or truss. A maximum of two offsets (4 elbows) is permitted. Each elbow is sold individually. **For use in Canada only.**

SIZE	5"	6"	7"	8"	10"
A			3"		
B			6 7/8"		
ORDER #	5E45-2	6E45-2	7E45-2	8E45-2	10E45-2

### Tee



Located at the base of the chimney, it provides the horizontal connection to the appliance. An insulated Tee Cap (TCI) is included. **FOR USA ONLY: Available in Alu-Zinc outer casing for 6", 7", 8" (CODE GL)**

SIZE	5"	6"	7"	8"	10"
A	9 1/2"	10 1/2"	11 3/4"	13"	15"
B	4 3/4"	5 1/4"	5 1/4"	6 1/4"	7 1/4"
C	5 1/2"	6"	6 1/2"	7 1/4"	8 1/4"
ORDER #	5TI-2	6TI-2	7TI-2	8TI-2	10TI-2

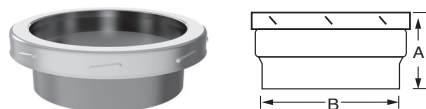
### Tee Cap (Twist-Lock)



The twist-lock cap makes inspection access and servicing easy.

SIZE	5"	6"	7"	8"	10"
ORDER #	5TCI	6TCI	7TCI	8TCI	10TCI

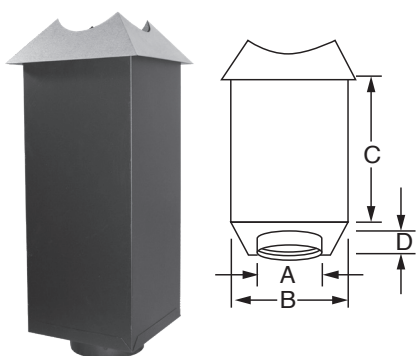
### Flue Extension



Used to make the transition from insulated chimney to stovepipe in a through-the-wall installation. Refer to installation instructions for more details.

SIZE	5"	6"	7"	8"	10"
A	3"				
B	5"	6"	7"	8"	10"
ORDER #	5CA	6CA	7CA	8CA	10CA

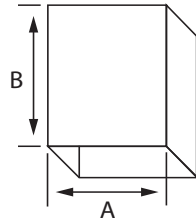
### Insulated Reduced Clearance Support box



Use to support chimney with flat, vaulted, or cathedral ceiling. Certified to reduce clearances from 2" to just 1" for any portion of chimney shielded within the support's box. Note: Any exposed chimney above the support still requires minimum 2" clearances-to-combustibles. Reduced clearance allows for smaller opening & frame within ceiling. Support can also serve as the Attic Radiation Shield. Includes top collar as shown, insulation, and two-piece adjustable black finish trim. Integrated adapter accepts either single-wall or double-wall stovepipe.

SIZE	6"	7"	8"
A	6"	7"	8"
B	10"	11"	12"
C	24"		
D	2"		
ORDER #	6RCS	7RCS	8RCS

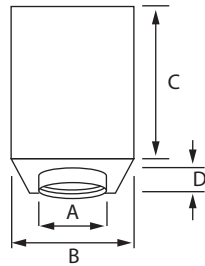
### Reduced Clearance Support Extension



This part is designed to extend the height of the Insulated Reduced Clearance Support (RCS) by 22" when additional height is required.

SIZE	6"	7"	8"
A	10"	11"	12"
B	24"	24"	24"
ORDER #	6SE	7SE	8SE

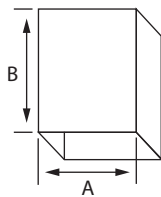
### Square Cathedral Ceiling Support



Support for use with vaulted or cathedral ceilings. 6" version fits within 12" x 12" frame. Larger 7" and 8" versions will fit within frame between 16"-on-center construction. Includes two-piece adjustable black finish trim. Integrated adapter accepts both single-wall or double-wall stovepipe.  
 Note: Where attic is located immediately above this support, an attic radiation shield is required.

SIZE	6"	7"	8"
A	6"	7"	8"
B	12"	14 3/8"	14 3/8"
C	24"		
D	2"		
ORDER #	6SSC24	7SSC24	8SSC24

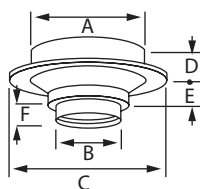
### Square Cathedral Ceiling Support Extension



Use to extend the height of the Square Cathedral Ceiling Support (SSC24) by up to 22".

SIZE	6"	7"	8"
A	12"	14 3/8"	14 3/8"
B	24"		
ORDER #	6PS24	PS24	PS24

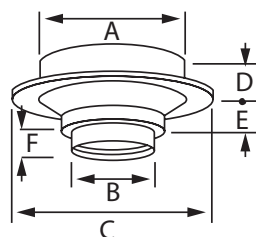
### Round Finishing Support w/ Removable Trim



Round Finishing Support for use on flat ceiling. 6" diameter only. Fits within 12-3/8" x 12-3/8" frame. Integrated adapter accepts either single-wall or double-wall stovepipe. Removable trim collar allows collar to be fastened in place after finish of ceiling is completed.

SIZE	5"	6"
A	12"	
B	5 1/4"	6"
C	17"	
D	5 1/2"	
E	3"	
F	2"	
ORDER #	5SFCA	6SFCA

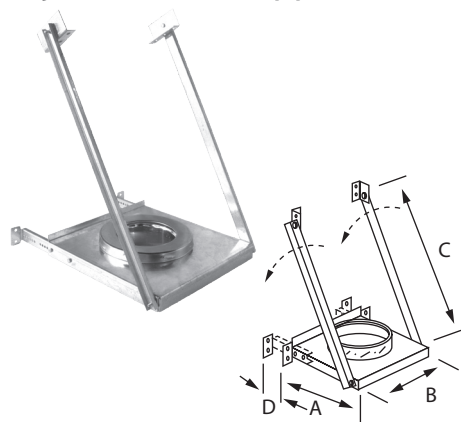
### Round Finishing Support



Same as above except collar is fixed; not removable. Integrated adapter accepts either single-wall or double-wall stovepipe.

SIZE	5"	6"	7"	8"
A	12"	12"	14 3/8"	14 3/8"
B	5 1/4"	6"	7"	8"
C	17"		20"	
D	5 1/2"			
E	3"			
F	2"			
ORDER #	5SFC-1	6SFC-1	7SFC	8SFC

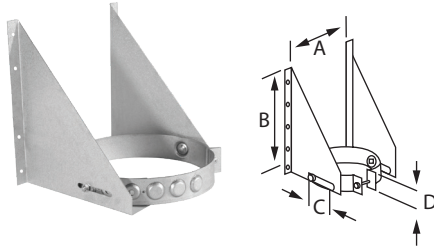
### Adjustable Tee Support



This part supports the chimney at the base of the installation, functioning similarly to the tee support (SM) but with an adjustable base to provide additional wall clearance as needed. This tee support must be installed with the insulated tee cap (TCS) included with the insulated tee.

SIZE	5"	6"	7"	8"	10"
A	11 1/2"	11 1/2"	15 1/2"	15 1/2"	15 1/2"
B	15"				
C	26 3/4"				
D	0" to 5"				
ORDER #	5SMA-2	6SMA-2	7SMA-2	8SMA-2	10SMA-2

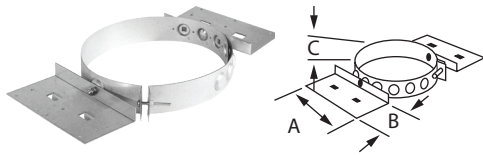
### Wall-Support (UNIVERSAL)



Use to support the chimney on a vertical wall. The triangular plates allow for a 2 3/4" adjustment of the support to the vertical surface. This support can also be used as a wall support above the insulated tee or as a support for an offset elbow. Refer to chart for load bearing capacity. In shorter chimney stack applications, the Wall-Support can also be used in place of a Tee Support. Universal design works with 5", 6", 7", or 8" pipe diameters.

SIZE	5"	6"	7"	8"	10"
A	8 1/2"	9 1/2"	10 1/2"	11 1/2"	13 1/2"
B	12"				
C	2 3/4"				
D	2"				
ORDER #	50-2			X50-2	

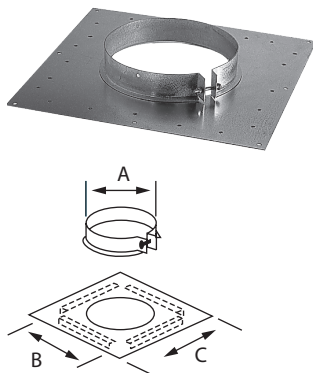
### Roof Support (UNIVERSAL)



The roof support is versatile. A universal collar allows it to fit 5", 6", "7" and 8" chimney. It is typically used to support a chimney at the roof-deck. The mounting brackets easily adjust to suit any pitch. It can also be used as a wall-support when placed upon a floor or mounted to a ceiling; or as offset support. Please refer to instructions for more details.

SIZE	5"	6"	7"	8"	10"
A	8"				
B	4"				
C	2"				
ORDER #	ST			XST	

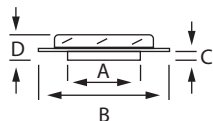
### Floor Support Plate



Use to support the chimney on a slab, floor, or joist. It includes a tightening collar that locks around the chimney and is secured by self-tapping screws (included). The collar rests on a horizontal plate screwed or nailed to the floor or slab. It can also serve as an intermediate support. Refer to chart for load bearing capacity.

SIZE	5"	6"	7"	8"	10"
A	7"	8"	9"	10"	12"
B	11"	12"	13"	14"	20"
C	16"	16"	16"	18"	18"
ORDER #	5SD	6SD	7SD	8SD	10SD

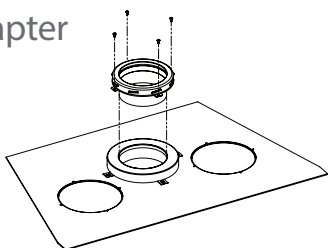
### Anchor Plate



Attach to a masonry or factory-built fireplace to provide proper connection to the chimney. The Anchor Plate can also be used with furnaces or boilers.

SIZE	5"	6"	7"	8"	10"
A	5"	6"	7"	8"	10"
B	12"				14"
C	2"				
D	3"				
ORDER #	5SP	6SP	7SP	8SP	10SP

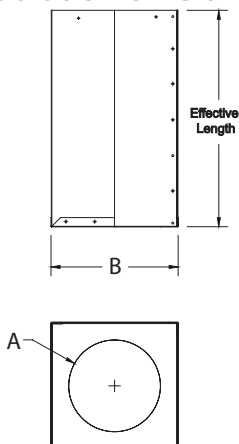
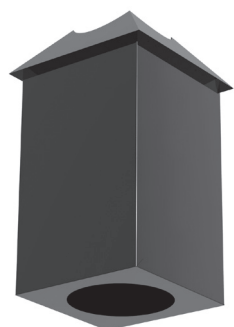
### IHP Adapter



Adapt IHP fireplaces to allow connection to Security's ASHT Chimney.

SIZE	6"	7"
ORDER #	6IHP1	7IHP1

### Pass-Through Radiation Shield

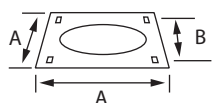


Use when insulated chimney passes up through a ceiling penetration from below. Suited for flat, vaulted, or cathedral applications. Integrated Firestop on bottom. Top can serve as an Attic Radiation Shield where required.

Factory insulation and square-to-round collar are included. Effective height (length) with standard extension is adjustable from 24" up to maximum of 46".

SIZE	6"	7"	8"
A	8 1/4"	9 1/4"	10 1/4"
B	12" x 12"	13" x 13"	14" x 14"
ORDER #	6SRSE	7SRSE	8SRSE

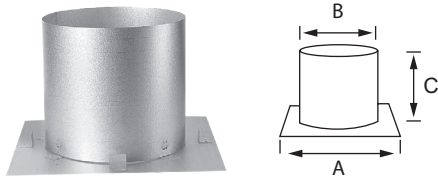
### Firestop



Use below each combustible floor the chimney passes through.

SIZE	5"	6"	7"	8"	10"
A	14"	16"	16"	16"	18"
B	11"	12"	13"	14"	16"
ORDER #	5BF	6BF	7BF	8BF	10BF

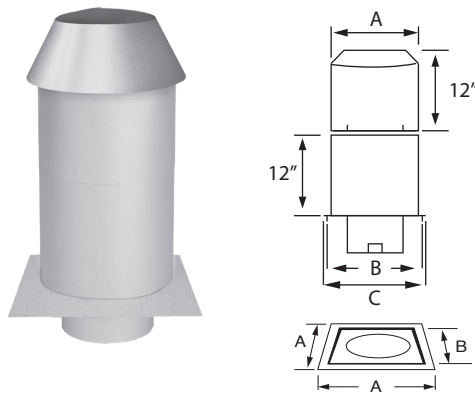
### Firestop Radiation Shield



Can be used as alternative to the standard BF firestop. This version includes radiation shield. May be required by some appliance manufacturers.

SIZE	5"	6"	7"	8"	10"
A	16"				
B	10"	11"	12"	13"	15"
C	10"				
ORDER #	5RS	6RS	7RS	8RS	10RS

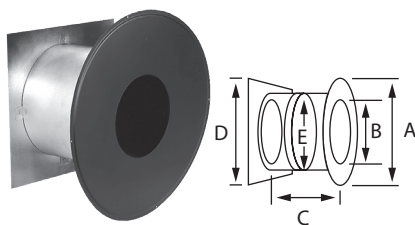
### Adjustable Insulated Attic Radiation Shield



Two-piece overlapping design adjusts from 12" up to 22" height to accommodate deeper levels of insulation. Part is factory-insulated and includes both the base plate and collar as shown.

SIZE	5"	6"	7"	8"	10"
A	11"	12"	13"	14"	16"
B	11"	12"	13"	14"	16"
C	16"				
ORDER #	5ARSA	6ARSA	7ARSA	8ARSA	10ARSA

### Wall Thimble

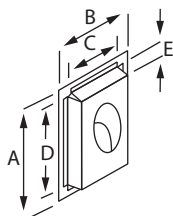


Designed to protect surrounding combustible materials when a chimney passes through a wall. Thimble works with wall thicknesses from 7" up to 12-1/2". Can be trimmed for use with thinner walls. Includes painted Decorative Collar for interior finish. Insulated to prevent heat loss or cold air intrusion.

SIZE	5"	6"	7"	8"	10"
A	17"	18"	21"	21"	24"
B	7 1/4"	8 3/8"	9 5/8"	10 5/8"	12 3/8"
C	7 1/2" to 12 1/2"				
D	14"	16"			18"
E	11"	12"	13"	14"	16"
ORDER #	5RSM-2	6RSM-2	7RSM-2	8RSM-2	10RSM-2



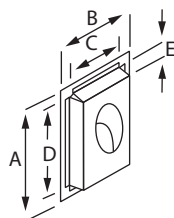
### Wall Radiation Shield - 30°



This part is to be used only with a wood-burning fireplace that has been certified for use with the chimney. It has been designed for use when the chimney passes through a wall at an angle.

SIZE	6"	7"	8	10"
A	34 3/4"	37 1/4"	39 1/4"	42 3/4"
B	15 1/8"	16 1/8"	17 1/8"	18 7/8"
C	11"	12"	13"	14 3/4"
D	30 5/8"	33 1/8"	35 1/8"	38 3/4"
E	3"			
ORDER #	6RSMI30	7RSMI30	8RSMI30	10RSMI30

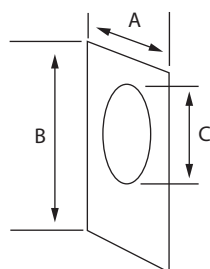
### Wall Radiation Shield - 45°



This part is to be used only with a wood-burning fireplace that has been certified for use with the chimney. It has been designed for use when the chimney passes through a wall at an angle. **For use in Canada only.**

SIZE	6"	7"	8	10"
A	24 3/8"	26 1/8"	27 1/2"	30"
B	15 1/8"	16 1/8"	17 1/8"	18 7/8"
C	11"	12"	13"	14 3/4"
D	20 1/4"	22"	23 3/8"	25 7/8"
E	3"			
ORDER #	6RSMI45	7RSMI45	8RSMI45	10RSMI45

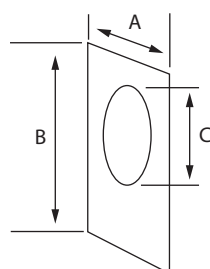
### Angled Firestop - 30°



For use with factory-built fireplaces certified with ASHT.

SIZE	6"	7"	8"	10"
A	15 5/8"	16 5/8"	17 5/8"	19 3/8"
B	35 1/4"	37 3/4"	39 3/4"	43 5/16"
C	13 5/16"	14 9/16"	15 9/16"	17 3/8"
ORDER #	6RSM30	7RSM30	8RSM30	10RSM30

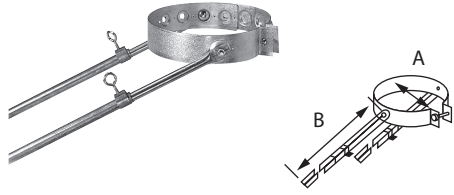
### Angled Firestop - 45°



For use with factory-built fireplaces listed with ASHT. **For use in Canada only.**

SIZE	6"	7"	8"	10"
A	15 5/8"	16 5/8"	17 5/8"	19 5/8"
B	24 7/8"	26 5/8"	28"	30 1/2"
C	9 15/16"	10 13/16"	11 1/2"	12 3/4"
ORDER #	6RSM45	7RSM45	8RSM45	10RSM45

### Roof Brace (UNIVERSAL)

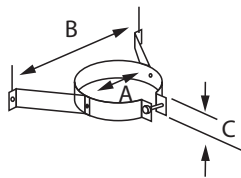
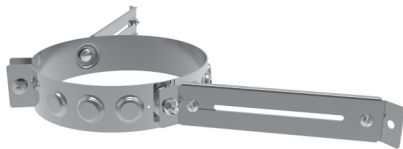


Required to stabilize chimney against wind-loading when 5 feet or more extends above the roof-line. Adjustable collar works with 5", 6", 7", or 8" pipe. Brace arms are adjustable from 60" up to 115".

Note: Not intended to provide protection against sliding ice or snow on a metal roof.

SIZE	5"	6"	7"	8"	10"
A	7"	8"	9"	10"	12"
B	60"				
ORDER #	BS2			XBS2	

### Universal Wall Strap

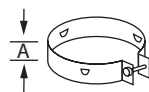


Use to provide lateral stability when chimney runs up an interior or exterior wall. Adjustable arms slide in or out to set required clearances. Adjustable collar works with 5", 6", 7", or 8" pipe.

Note: The use of wall bands at intervals of 8' is recommended.

SIZE	5"	6"	7"	8"	10"
A	7"	8"	9"	10"	12"
B	19"	21"	23"	25"	29"
C	2"				
ORDER #	BM-2			XBM-2	

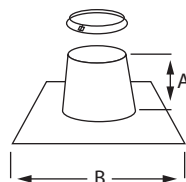
### Guy Wire Band



Can be used to provide added stability to a chimney that protrudes from 5' up to 13' above a roof. Collar includes three eyelets for attaching wire rope (rope not included). Note: Not intended to provide protection from sliding ice & snow.

SIZE	6"	7"	8"	10"
A	2"			
ORDER #	6BH	7BH	8BH	10BH

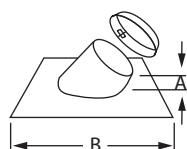
### Flat Roof Flashing



Galvanized Flat Roof Flashing. Storm collar included.

SIZE	5"	6"	7"	8"	10"
A	7 1/2"				
B	20"	24"			
ORDER # (CANADA)	5F	6F	7F	8F	10F
ORDER # (USA)	5FR	6FR	7FR	8FR	10FR

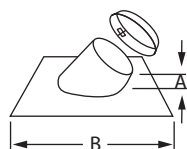
### Adjustable Roof Flashing



Adjustable Roof Flashing. Choose from three different versions to match roof pitch. Storm collar is included.

SIZE		5"	6"	7"	8"	10"
1/12 - 7/12	A	6"				
	B	24"				
	ORDER # (CANADA)	5FA	6FA	7FA	8FA	10FA
	ORDER # (USA)	5FAR	6FAR	7FAR	8FAR	10FAR
8/12 - 12/12	A	6"		4 3/8"	3 7/8"	3 7/8"
	B	24"				30"
	ORDER # (CANADA)	5FB	6FB	7FB	8FB	10FB
	ORDER # (USA)	5FBR	6FBR	7FBR	8FBR	10FBR
12/12 - 21/12	A	6 1/4"				
	B	--	36"			42"
	ORDER # (CANADA)	--	6FBB	7FBB	8FBB	10FBB
	ORDER # (USA)	--	6FBBR	7FBBR	8BBR	10FBBR

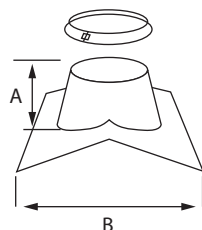
### DSA Roof Flashing



This flashing features a base plate made of malleable (aka "Dead-Soft") aluminum. This material is easily shaped-by-hand to match corrugated metal roofing or rounded clay-tile shingles. Storm Collar is included.

SIZE		6"	7"	8"
1/12 - 7/12 Aluminum Malleable	A	6"		
	B	36"		
	ORDER # (CANADA)	6FAA	7FAA	8FAA
	ORDER # (USA)	6FAAR	7FAAR	8FAAR
8/12 - 12/12 Aluminum Malleable	A	6"	6 3/8"	6 7/8"
	B	36"		
	ORDER # (CANADA)	6FBA	7FBA	8FBA
	ORDER # (USA)	6FBAR	7FBAR	8FBAR

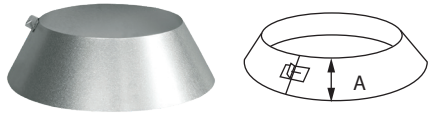
### Peak Roof Flashing



Galvanized Peak Roof Flashing. Choose from two different versions to match roof pitch. Storm collar included.

SIZE		6"	7"	8"	10"
1/12 - 7/12	A	3 5/8"			
	B	12"	13"	13 1/2"	15"
	ORDER # (CANADA)	6FP	7FP	8FP	10FP
	ORDER # (USA)	6FPR	7FPR	8FPR	10FPR
8/12 - 12/12	A	5"	4"	3 1/4"	1 1/2"
	B	14"			
	ORDER # (CANADA)	6FPB	7FPB	8FPB	10FPB
	ORDER # (USA)	6FPBR	7FPBR	8FPBR	10FPBR

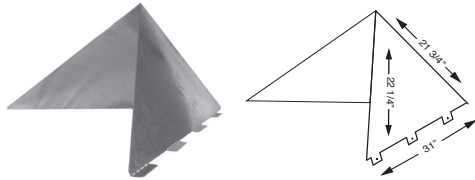
### Storm Collar



Collar fits over flashings to help prevent water intrusion. Generous shoulder width ensures effective protection in all climates when installed as directed. **Included with all roof flashing.**

SIZE	5"	6"	7"	8"	10"
A	5"				
ORDER #	5FC	6FC	7FC	8FC	10FC

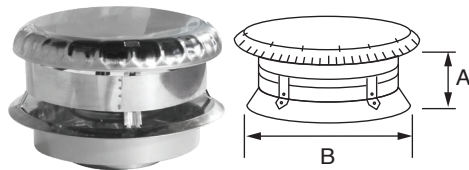
### Snow Splitter (UNIVERSAL)



Ships flat, and folds easily on the job site. Includes 8 fastening flanges (4 on each side) for mounting. Made with heavy 14 gauge galvanized steel.

SIZE	5"	6"	7"	8"
ORDER #	FSD			

### Vertical Cap

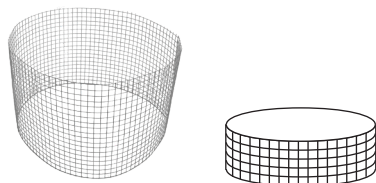


A vertical cap is required to prevent precipitation from entering the chimney. Unique clamp design allows for universal fit on any chimney with either a one-inch (ASHT) or two-inch (S2100) wall thickness.

Note: Check local codes to determine if an optional spark arrester is required.

SIZE	5"	6"	7"	8"	10"
A	4 3/4"	4 3/4"	4 3/4"	4 3/4"	4 3/4"
B	12 1/4"	12 1/4"	12 1/4"	15 1/2"	15 1/2"
ORDER #	5CC	6CC	7CC	8CC	10CC

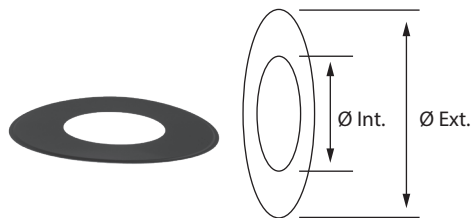
### Universal Spark Arrester Band



This band is wrapped around the vertical cap. Its purpose is to help prevent burning embers from escaping. As an added benefit, it keeps birds and other small animals from entering the chimney. Mesh must be cut to suit cap. Made of Stainless Steel.

SIZE	5"	6"	7"	8"
ORDER #	PE			

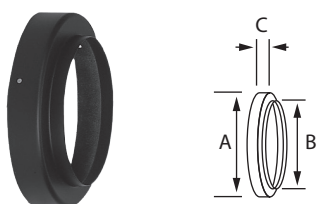
### Trim Collar



The optional decorative Trim Collar can be used to help provide a professional finish around the chimney when passing through a non-combustible wall.

SIZE	6"	7"	8"
Ø INTERIOR	8 3/8"	9 5/8"	10 5/8"
Ø EXTERIOR	18"	21"	21"
ORDER #	6PF	7PF	8PF

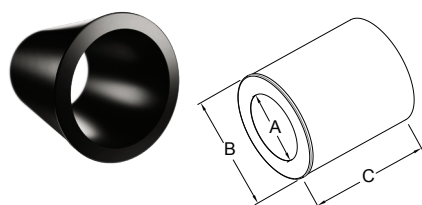
### Decorative Collar Single-Wall Stovepipe



Used in through-wall installations. Provides decorative finish with transition between chimney and single-wall stovepipe.

SIZE	5"	6"	7"	8"
A	7"	8"	9"	10"
B	5 1/8"	6 1/8"	7 1/8"	8 1/8"
C	1"			
ORDER #	5PB	6PB	7PB	8PB

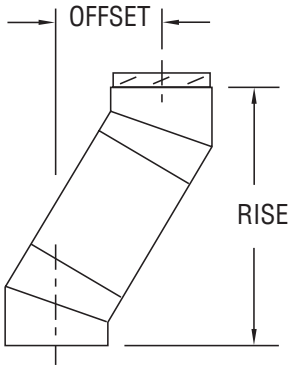
### Decorative Sleeve



Used to provide a decorative finish to the horizontal length within the room when passing through a non-combustible wall and through the Insulated Wall Thimble. Metallic black finish.

SIZE	6"	7"	8"
A	6 1/4"	7 1/4"	8 1/4"
B	8 3/16"	9 7/16"	10 7/16"
C	12"	12"	12"
ORDER #	6DS	7DS	8DS

### Offset Chart



Use to determine the lengths required for an installation. Determine the offset required in view of the obstacles that must be avoided. Refer to the offset/rise chart to determine the elbows required as well as the insulated lengths needed. Check the corresponding offset height dimensions.

ELBOW OFFSET & RISE CHART							
		One length between elbows					
Angle	SIZE.	8"	12"	18"	24"	36"	48"
		Offset	3 5/16"	4 5/16"	5 7/8"	7 7/16"	10 1/2"
		Rise	15 11/16"	19 9/16"	36 3/8"	31 3/16"	42 3/4"
15°	6", 7", 8"	Two lengths between elbows					
		8" & 48"	12" & 48"	18" & 48"	24" & 48"	36" & 48"	48" & 48"
		Offset	15 3/8"	16 7/16"	18"	19 1/2"	25 5/8"
		Rise	60 15/16"	64 13/16"	70 9/16"	76 3/8"	87"
		One length between elbows					
Angle	Dia.	8"	12"	18"	24"	36"	48"
		Offset	7 7/16"	9 7/16"	12 7/16"	15 7/16"	21 7/16"
		Rise	20"	23 1/2"	28 11/16"	33 7/8"	44 1/4"
30°	6", 7", 8"	Two lengths between elbows					
		8" & 48"	12" & 48"	18" & 48"	24" & 48"	36" & 48"	48" & 48"
		Offset	30 13/16"	32 13/16"	35 13/16"	38 13/16"	44 13/16"
		Rise	60 9/16"	64"	69 1/4"	74 7/16"	84 13/16"
		One length between elbows					
Angle	Dia.	8"	12"	18"	24"	36"	48"
		Offset	10 5/16"	13 3/16"	17 3/8"	21 5/8"	30 1/8"
		Rise	17 13/16"	20 5/8"	24 7/8"	29 1/8"	37 5/8"
45° <b>(CANADA ONLY)</b>	6", 7", 8"	Two lengths between elbows					
		8" & 48"	12" & 48"	18" & 48"	24" & 48"	36" & 48"	48" & 48"
		Offset	43 7/16"	46 1/4"	50 1/2"	54 3/4"	63 1/4"
		Rise	50 15/16"	53 3/4"	58"	62 1/4"	70 3/4"



BUILD FOR THE FUTURE

Customer Service and Support:

Airmate (USA).....	800.992.8368
Airmate (CAN) .....	888.735.5475
Ameriflow .....	800.252.8467
Amerivent (Retail).....	800.252.8467
Amerivent (Hearth & Wholesale) ....	800.423.4270
Amerivent (Support).....	800.748.0392
AMPCO (USA) .....	800.669.3269
AMPCO (CAN).....	888.735.5475
Duravent .....	800.835.4429
Hart & Cooley.....	800.433.6341
Hart & Cooley (Support) .....	800.748.0392
Heatfab (USA).....	800.772.0739
Heatfab (CAN) .....	800.848.2149
Lima.....	800.423.4270
Milcor .....	800.774.5240
Portals Plus.....	800.774.5240
RPS.....	800.624.8642
Security Chimney (USA).....	800.361.4909
Security Chimney (CAN) .....	800.667.3387
Selkirk (USA) Residential .....	800.992.8368
Selkirk (USA) Commercial.....	800.848.2149
Selkirk (USA) Support.....	800.748.0392
Selkirk (CAN) .....	888.735.5475

Manufacturing & Distribution Centers:

CANADA	
Nobel, ON	Manufacturing
Laval, QC	Manufacturing
Prescott, ON	Distribution
USA	
Grand Rapids, MI	Center of Excellence
Dallas, TX	Distribution
Englewood, OH	Distribution
Huntsville, AL	Manufacturing & Distribution
Las Vegas, NV	Distribution
Nampa, ID	Manufacturing & Distribution
Turner Falls, MA	Manufacturing & Distribution
Vacaville, CA	Manufacturing
MEXICO	
Ojinaga, MX	Manufacturing
Mexicali, MX	Manufacturing

Corporate Headquarters:

Duravent Group  
 28 W. Adams, Suite 1810  
 Detroit, MI 48226  
 Tel: 800.835.4429  
 Email: [info@duraventgroup.com](mailto:info@duraventgroup.com)  
[www.duraventgroup.com](http://www.duraventgroup.com)



**duravent**<sup>™</sup>  
GROUP

BUILD FOR THE FUTURE

[www.duraventgroup.com](http://www.duraventgroup.com)



For warranty information:  
Scan this QR code or visit  
[www.duraventgroup.com/warranties](http://www.duraventgroup.com/warranties)

© 2024 Duravent Group. All rights reserved.  
SC\_ASHT\_CT-001E\_08-24