

Ultimate  *StovePipe*™

**Installation
Instructions
(USA & Canada)**



**Factory Built Double Wall
Chimney Connector**

The Ultimate connection between your
Woodstove and the Insulated Chimney

MODEL USP



LISTED
W/N 23367
Report Number: GG104935831

Tested to Standards

CAN/ULC-641
&
UL 103 Type HT

CONTENTS

CERTIFICATION LABEL	3
TYPE OF APPLIANCES, TECHNICAL INFORMATION	4
PRE-INSTALLATION GUIDELINES	4-5
SECURING OF PIPE AND FINISHING BANDS	6-7
STOVE ADAPTERS, INSTALLATION PROCEDURES	7
MASONRY, STRAIGHT INSTALLATIONS.	8-9
CLEANOUT, THROUGH THE WALL INSTALLATIONS	9-10
IN-LINE DAMPER, INCREASER, REDUCER, PROBE THERMOMETER	10
SAFE OPERATION AND MAINTENANCE	11
CHIMNEY FIRES AND PARTS CHECK LIST	11-13
OFFSET CHARTS	14-15
CONTACT INFORMATION	16
WARRANTY	17

A MAJOR CAUSE OF CHIMNEY CONNECTOR RELATED FIRES IS FAILURE TO MAINTAIN REQUIRED CLEARANCES (AIR SPACES) TO COMBUSTIBLE MATERIALS. CHECK WITH THE APPLIANCE MANUFACTURER FOR CLEARANCE REQUIREMENTS.

IT IS OF THE UTMOST IMPORTANCE THAT THIS DOUBLE WALL CHIMNEY CONNECTOR BE INSTALLED ONLY IN ACCORDANCE WITH THESE INSTRUCTIONS. IF YOU ARE UNSURE OF INSTALLATION REQUIREMENTS, CALL THE PHONE NUMBER LISTED ON THESE INSTRUCTIONS.

IMPORTANT:

Read through all of these instructions before beginning your installation. Failure to install this product in accordance with these instructions will void the manufacturer's warranty, conditions of certification, and may affect your homeowner's insurance and safety listing of your appliance.

APPLICATION

These instructions apply to Model USP Factory Built Chimney Connector system. Your Chimney Connector is intended to connect a gas, liquid or solid fuel appliance normally producing flue gases of 650°C / 1200°F (Canada), 1000°F / 540°C (USA - to the temperature requirements of UL 103 Type HT) or less to a factory built or masonry chimney.

Installer: It is of the utmost importance these instructions are left with the homeowner.

Homeowner: Keep these instructions in a safe place for future reference.

duravent[™]
GROUP

CERTIFICATION LABEL



Intertek
W/N 23367

LISTED CHIMNEY CONNECTOR TYPE HT RACCORD DE CHEMINÉE HOMOLOGUE

CERTIFIED TO : UL103 & CAN/ULC-S641 – HOMOLOGUE SELON UL103 & CAN/ULC-S641
REFER TO THE INTERTEK DIRECTORY OF BUILDING PRODUCTS FOR DETAILED INFORMATION –
SE RÉFÉRER AU RÉPERTOIRE D'INTERTEK POUR PLUS D'INFORMATION
([HTTPS://BPDIRECTORY.INTERTEK.COM](https://bpdirectory.intertek.com) [BPDIRECTORY.INTERTEK.COM])

MODEL / MODÈLE

USP

FOR CONNECTION BETWEEN CHIMNEYS AND
SOLID FUEL, LIQUID FUEL, AND GAS FIRED
APPLIANCES NORMALLY PRODUCING FLUE GASES
OF 650°C (1200°F) OR LESS.

MINIMUM CLEARANCE TO
COMBUSTIBLES
6 INCHES / 150MM

CAUTION:

DO NOT ENCLOSE THIS CHIMNEY CONNECTOR
MUST NOT PASS THROUGH COMBUSTIBLE WALLS,
FLOORS OR CEILINGS. FOLLOW MANUFACTURERS
INSTALLATION INSTRUCTIONS PACKAGED WITH
TELESCOPING AND ADJUSTABLE PIPE SECTIONS.



POUR RACCORDEMENT ENTRE DES CHEMINÉES ET
APPAREILS CONSOMMANT DES COMBUSTIBLES SOLIDES,
LIQUIDES, OU GAZ PRODUISANT NORMALEMENT DES
GAZ DE CHEMINÉE DE 650°C (1200°F) OU MOINS.

ESPACEMENT MINIMUM DES
MATÉRIEAUX COMBUSTIBLES
6 POUÇES / 150MM

MISE EN GARDE:

NE PAS ENFERMER CE TUYAU DE RACCORDEMENT
NE DOIT PAS TRAVERSER DES MURS, PLANCHERS OU
PLAFONDS COMBUSTIBLES. SUIVRE LES INSTRUCTIONS
D'INSTALLATION DU FABRICANT AJOUTÉS DANS LES
EMBALLAGES DES SECTIONS TÉLESCOPIQUES ET
AJUSTABLES.

LV

SELKIRK
CORPORATION
GRAND RAPIDS, MI

SELKIRK
CANADA INC
HAMILTON, ON, CAN

DURAVENT INC.
VACAVILLE, CA
HART & COOLEY LLC
GRAND RAPIDS, MI

SECURITY CHIMNEYS
INTERNATIONAL LTD.
LAVAL, QC, CAN

MADE IN
CANADA
FABRIQUÉ AU
CANADA

NP372
REV.2

ATTENTION!

It is important these installation instructions are followed.

We recommend our hearth products be installed and serviced by professionals who are certified in Canada by WETT (Wood Energy Technology Transfer) or l'APC (l'association des professionnels du chauffage) or in the U.S.A. by NFI (National Fireplace Institute).

WARNING

Failure to follow the installation instructions could cause **FIRE, CARBON MONOXIDE POISONING, OR DEATH**. If you are unsure of installation requirements, call the Phone Number listed in these instructions.

TYPES OF APPLIANCES

Your Chimney Connector is intended to connect a gas, liquid, or solid fuel appliance normally producing flue gases of 650°C / 1200°F (Canada), 1000°F / 540°C (U.S.A.) or less to a factory built or masonry chimney. If you are planning to install a wood stove, we recommend that you:

- Use this chimney connector only with an appliance listed by a recognized Testing Laboratory (such as ULC, WH, ITS, UL or OMNI).
- Choose the right size stove. Do not buy one larger than you need.
- Connect only one appliance to a chimney.

Appliance Installation:

The appliance must be installed in accordance with the manufacturer's installation instructions. The appliance has definite minimum clearances to combustibles. These minimum clearances for the appliance must be maintained. **Do not attempt to reduce the minimum specified appliance clearances** when installing the Double Wall Chimney Connector.

For mobile home installations follow the installation instructions for the mobile home appliance and use the chimney connector clearance required by the appliance.

TECHNICAL INFORMATION:

Construction:

Inner Flue Casing: .016" Stainless Steel
Outer Jacket: .018" Satin Coat Steel
Welded Seams: Inner Flue and outer Casing
Wall Thickness: 7/16"
Paint: Stove Bright Metallic Black Finish (#6309)

Allowable Flue Gas Temperatures:

Maximum Continuous

1000°F (540°C) - U.S.A.
1200°F (650°C) - Canada

Brief Forced Firing

1400°F (760°C) - U.S.A.
1700°F (925°C) - Canada

Tested to 2100°F (1150°C)

- 3 x 10 minutes - U.S.A.
- 3 x 30 minutes - Canada

PRE-INSTALLATION GUIDELINES

This Chimney Connector must not be enclosed or pass through attics, closets, floors or ceilings, and must not be used in place of an insulated chimney section.

Plan the installation of your appliance and chimney connector in such a way that your chimney connector run is as short and straight as possible.

By having too long and/or multiple bend installations you can reduce system draft which can affect the operation, and/or performance of your appliance and/or chimney system. The use of two 45° elbows is often preferable to a single 90° elbow.

Consult the stove manufacturer's installation instructions for their specific installation requirements. Double Wall Chimney Connector and Chimney should be sized in accordance with the appliance manufacturer's recommendations.

DO NOT put any type of insulation in the air-space surrounding the Double Wall Chimney Connector.

DO NOT block off or close the airspace to the end of the Double Wall Chimney Connector.

Ensure that the horizontal run of the Double Wall Chimney Connector is securely supported from the structure by means of metal or other non-combustible supports at intervals not exceeding 6 ft / 1.8m).

Provide sufficient slope in the horizontal run of the chimney connector (1/4" per foot, 20mm per meter) to enable any condensed liquid or creosote to run back toward the appliance.

Keep your flue gases between 300°F and 500°F to maximize efficiency while minimizing condensation and creosote formation.

Do not burn see driftwood or treated lumber. Both are highly corrosive to all types of stainless steel.

Model USP warranty coverage will be null and void, and serious fire, health, or other safety hazards may result from any of the following actions:

- Installation of any damaged Chimney Connector;
- Unauthorized modifications of the Chimney Connector;
- Installation of any component part not manufactured or approved with Model USP.
- Installation other than as instructed in the installation instructions and the appliance manufacturer's instructions.

Ensure you obtain any necessary building permits, and your installation will conform with all federal and municipal building code requirements.

The **Minimum Clearance** to combustibles (i.e. walls, ceilings, etc.) is **6" (152mm)**.

We recommend the **maximum vertical run** of Double Wall Stove Pipe should **not exceed 20ft**.

When pipe is correctly placed and aligned, all joints between sections of the chimney connector must be secured with three sheet metal screws per joints (#8 x 3/8" - supplied). Some drilling may be required to the Stove Pipe Adapter with a 3/32" metal drill bit.

If you are upgrading from a single wall stove pipe to USP Double Wall Chimney Connector, have your chimney inspected by a certified wood technician or a certified chimney sweep.

Joint overlap of the USP Chimney Connector Lengths and Fittings is 1-3/8" (i.e.: 36" Length is 34-5/8").

Use only authorized USP parts. Do not mix with single wall stove pipe. Do not mix with other product or improvise solutions. Do not install damaged parts.

After the installation has been inspected, you can remove the labels from the USP. For future reference, apply the labels to a blank or back page of the instructions. Remove any remaining glue residue, then clean the entire USP to remove finger prints, oil or dust prior to burning the appliance.

NOTE: It is not unusual for the USP Chimney Connector to give off some odor and some smoke the first few times it is burned. This is normal due to the curing of the finish and any residual oil from the manufacturing process. This will disappear after a few uses of the appliance. Please ensure the room is well ventilated, open all windows. It is recommended you burn your appliance for at least six (6) continuous hours the first time you use it.

The black surface of the chimney connector may be touched up as required. We recommend Stove Bright Metallic Black #6309. Follow the paint manufacturer's installation instructions for best results.

CONTACT LOCAL BUILDING OR FIRE OFFICIALS ABOUT RESTRICTIONS AND INSTALLATION INSPECTIONS

SECURING USP DOUBLE WALL STOVEPIPE TO THE CHIMNEY

A USP Length (fixed, Telescopic, Adjustable) will slide over the Stovepipe/Smoke Pipe Adapter (ASE, CPA, SPA) or Flue Extension. The following pages are to assist in a smooth transition of the USP to the chimney system.

The Finishing Band (WFB or NFB) will conceal the joint between the USP and the connection at the Pipe Adapter or Flue Extension. Ensure the Finishing Band covers any single wall portion of the Pipe Adapter/Flue Extension so the 6" clearance can be maintained. Once in the right position, secure in place with the supplied nut and bolt.

NOTE: The Wide Finishing Band (WFB) is included with the Telescopic Length (TL). An unlisted Narrow Finishing Band (NFB) is available separately.

WIDE FINISHING BAND (WFB - 3-1/2") or NARROW FINISHING BAND (NFB - 2")

1. Position the Telescopic or a Fixed Length over the Pipe Adapter/Flue Extension. Ensure the final position will be covered by the Finishing Band and overlaps the male end of the USP pipe and the chimney Pipe Adapter/Flue Extension.

NOTE: When connecting USP to a Chimney System, you may need to substitute the Wide Finishing Band (WFB), included in the Telescopic Length with the optional unlisted Narrow Finishing Band (NFB).

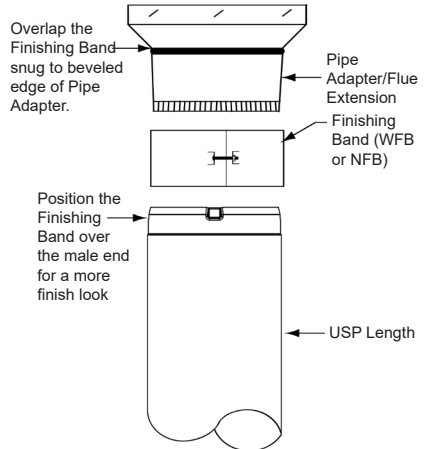


Figure 1A - Shown is a Pipe Adapter with beveled edge

2. Secure the USP pipe to the Pipe Adapter/Flue Extension with the 3 metal screws (supplied).

3. Wrap the Finishing Band over the dimpled male end of the USP pipe and the Pipe Adapter/Flue Extension. Ensure the Finishing Band overlaps the male end of the USP pipe and the chimney Pipe Adapter/Flue Extension. Secure the Finishing Band in place with the supplied nut and bolt. See Figures 1A-1B.

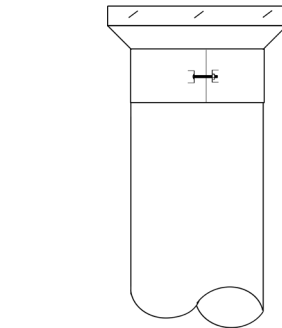
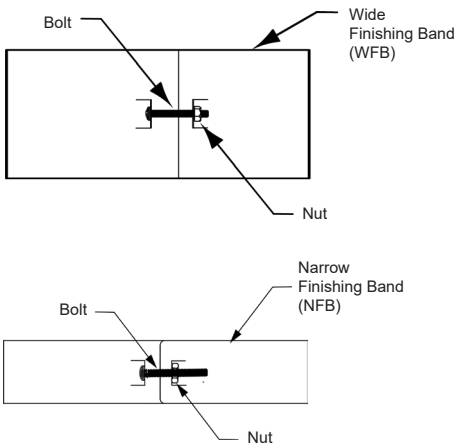


Figure 1B - USP & Pipe Adapter Assembled

4. On a through-the-wall installation with a 90° elbow, it may be necessary to cut the Pipe Adapter/Flue Extension and/or the supplied Wide Finishing Band (WFB) to the required width to be covered. You can also use the optional unlisted Narrow Finishing Band (NFB). Secure the USP pipe to the Pipe Adapter/Flue Extension with the 3 metal screws (supplied). Ensure the Finishing Band overlaps the male end of the USP pipe and the chimney pipe adapter/flue extension. See Figure 2A.

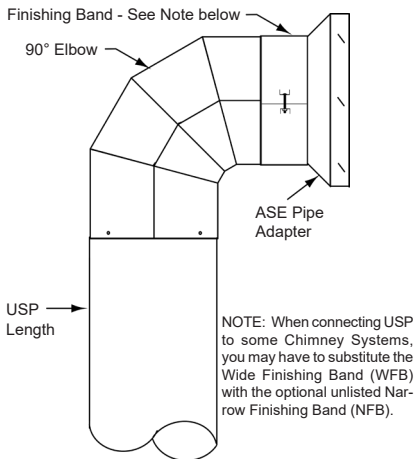
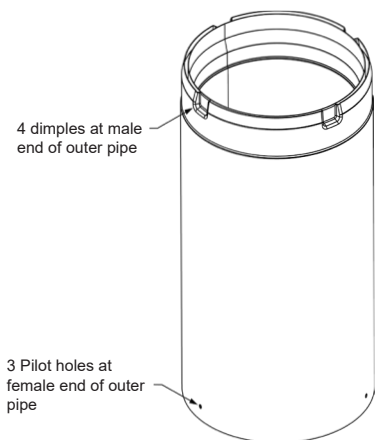


Figure 2A - With 90° Elbow Assembly

ATTENTION!

The orientation of all USP Chimney Connector components must be with the dimpled male end (outer pipe) pointing up, towards the chimney and the female end with pilot holes toward the appliance. See diagram below.



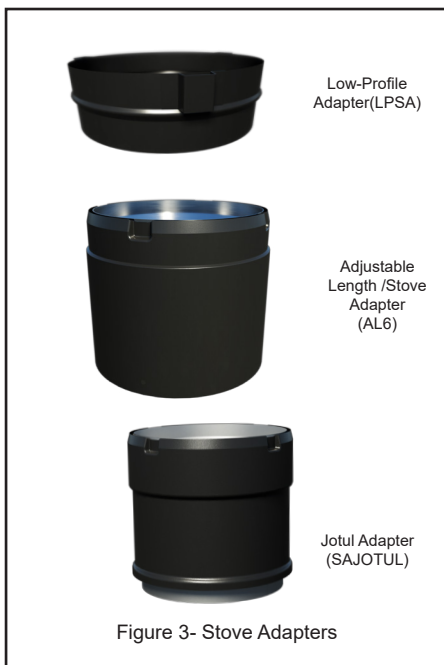
STOVE ADAPTERS (LPSA-AL6-SAJOTUL)

The Low-Profile Stove Adapter (LPSA) can be used with cast iron flue collars or on a stove with a flush outlet. Can also be used with stoves with irregular shaped or sized flue collars.

Some stove flue outlets are too thick for the Telescopic Length to fit over. In these cases, the Adjustable Length/Stove Adapter (AL6) or other Adjustable Lengths can be used. If necessary, the inner flue casing can be crimped as required to fit within the stove outlet collar.

The Jotul Stove Adapter (SAJOTUL) has a longer inner sleeve for a perfect fit with some 6" Jotul stoves. Secure to the stove flue outlet with 3/4" screws (supplied by others).

See Figure 3 below for each of the above mentioned Adapters.



INSTALLATION PROCEDURES

Install the appliance and chimney system according to the installation instructions provided with them, ensuring the required clearances are maintained.

MASONRY CHIMNEY (See Figure A)

Have your masonry chimney inspected by a qualified chimney sweep or Fire Department Inspector before using it. Masonry chimney should only be used if they are in good condition and have been built to the National Building Code.

When required, the masonry can be relined with a stainless steel liner or other approved relining products. If the existing masonry chimney is suitable, make sure the liner and opening are the correct size to accept the Masonry Adapter (MA). See image under Parts List, page 12. Fit the Masonry Adapter into this opening and over the branch of the Liner Tee until the collar of the Adapter fits flush to the wall of the masonry chimney. If the Adapter is too long and the collar does not fit flush to the wall, or it projects too far on the Tee, the Adapter needs to be trimmed for a proper fit. Attach the adaptor collar to the masonry wall using screws and masonry anchors. Seal the joint between the collar and the masonry with a high temperature silicone caulking.

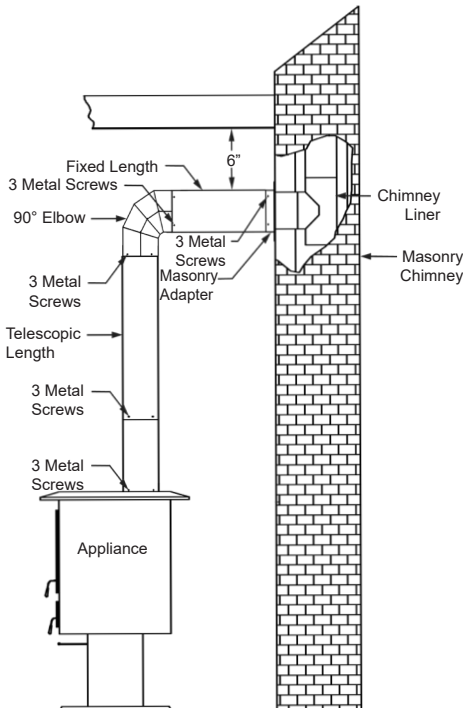


Figure A - Masonry Chimney

STRAIGHT INSTALLATION (See Figure B)

This installation is used when the insulated chimney system is located immediately above the appliance. Most installation will require just a Telescopic Length which adjusts from 35-3/4" to 68-1/2" when assembled. The Telescopic Length includes a lower fixed 36" Length, an upper 36" Adjustable Length and a Wide Finishing Band (WFB). See images under Parts List, page 12.

1. Place the Telescopic Length on top of the appliance so the female end sits over the flue collar of the appliance. In most cases the outer casing will rest on the stove top. Secure in place through the outer casing into the flue collar using 3 metal screws provided.
2. Extend the Telescopic Length up to the chimney and fit it snugly over the Pipe Adapter/Flue Extension. Secure in place with 3 metal screws provided. Secure the bottom and top of the Telescopic Length together once you reach the necessary length. If the installation requires more length than provided by the Telescopic Length, add fixed length(s) on the appliance and the Telescopic Length next to the chimney.

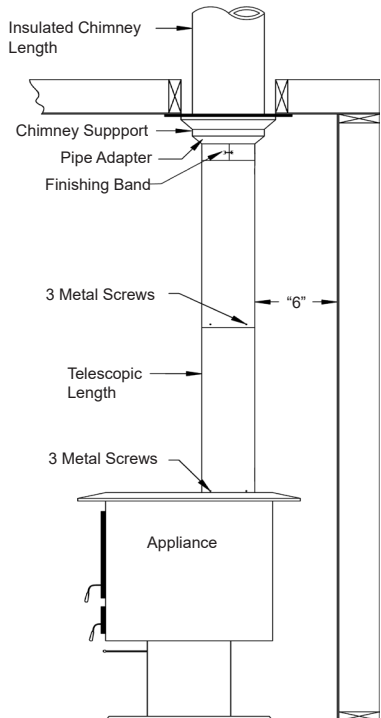


Figure B - Straight Up

All joints are to be fastened together with the 3 metal screws provided with each length. Install the Finishing Band (see page 6-7).

NOTE: Some stoves flue collars are too thick for the Telescopic Length to fit over. In these cases, a Stove Adapter may be more suitable (see Stove Adapters on page 7). If necessary, the inner flue casing can be crimped as required to fit within the flue collar.

CLEANOUT INSTALLATION (See Figure C)

This installation, utilizing a Tee Section (T), is used when the insulated chimney system is offset from the appliance, either to maintain proper clearances for the appliance or for incorporating a cleanout in the chimney system.

1. Place the Telescopic Length on top of the appliance so the female end sits over the flue collar of the appliance. In most cases the outer casing will rest on the stove top. Secure in place through the outer casing into the flue collar using 3 metal screws provided. If the stove flue collar is too thick for the Telescopic Length to fit over, you will need to use a Stove Adapter on top of the stove before installing the Telescopic Length. See Stove Adapters on page 7.

2. Install the 90° Elbow (E90) to the Tee Section (T) branch. Secure in place with 3 metal screws provided.

3. Install the assembly (90° Elbow and Tee Section) to the top of the Telescopic Length and secure the sections together with 3 metal screws.

4. Extend the Telescopic Length with the 90° Elbow and Tee Section up to the chimney and fit the Tee Section snugly over the Pipe Adapter/Flue Extension. Secure in place with 3 metal screws provided. Secure the bottom and top of the Telescopic Length together once you reach the necessary length. If the installation requires more length than provided by the Telescopic Length then add fixed length(s) on the appliance and the Telescopic Length next to the 90° Elbow. All joints are to be fastened together with the 3 metal screws provided with each length. Install the Finishing Band (see pages 6-7). See images under Parts List on page 13.

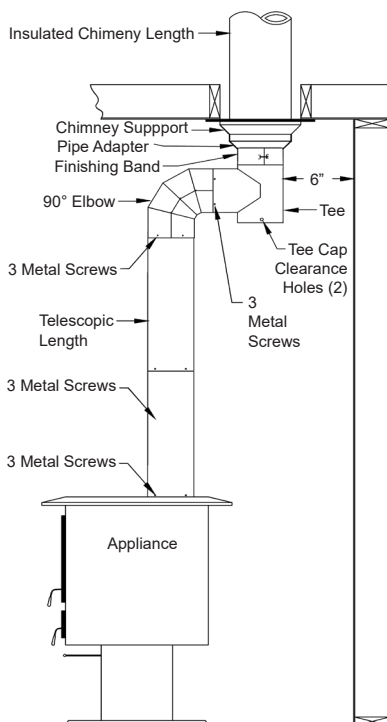


Figure C - Straight Up with Cleanout Tee Section

THROUGH THE WALL INSTALLATION (See Figure D)

This installation is used when the insulated chimney system is located through the wall behind the appliance.

1. Place the Telescopic Length on top of the appliance so the female end sits over the flue collar of the appliance. In most cases the outer casing will rest on the stove top. Secure in place through the outer casing into the flue collar using 3 metal screws provided. If the flue outlet collar is too thick for the Telescopic Length to fit over, you will need a Stove Adapter on top of the stove before installing the Telescopic Length. See Stove Adapters on page 7.

2. Make sure the Pipe Adapter/Flue extension is installed to the through the wall horizontal insulated chimney length.

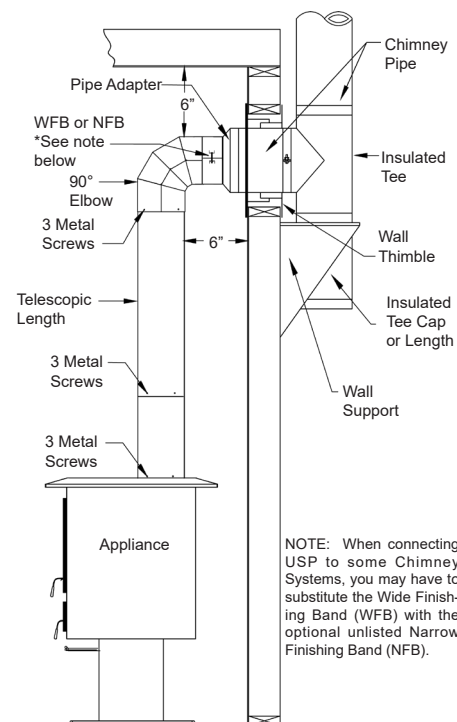
3. Install the 90° Elbow (E90) to the top of the Telescopic Length and secure in place with 3 metal screws. If the clearances of the

A damper allows control of the air being drawn through the chimney and to control the stove's combustion.

A damper must be installed in a vertical run, 2 to 3 feet above the stove.

When the handle of the damper is in the horizontal position (Figure 4), the damper is closed (reducing combustion). The "closed" position is still 20% open so the venting system is not completely blocked.

When the handle is in the vertical position, the damper is wide open (no reduction of combustion).



NOTE: When connecting USP to some Chimney Systems, you may have to substitute the Wide Finishing Band (WFB) with the optional unlisted Narrow Finishing Band (NFB).

Figure D - Through the Wall To Factory Built Chimney



Figure 4 - In-Line Damper - Closed Position

appliance requires a greater horizontal distance than provided by the 90° elbow, install the required connector length to the elbow first. Extend the Telescopic Length assembly and fit over the Pipe Adapter/Flue Extension. Secure in place with 3 metal screws provided. Secure the bottom and top of the Telescopic Length together once you have reach the necessary length. If the installation requires more length than provided by the Telescopic Length then add fixed length(s) on the appliance and the Telescopic Length next to the 90° Elbow. All joints are to be fastened together with the 3 metal screws provided with each length. Install the Finishing Band (see pages 6-7). See images under Parts List, page 13.

USP IN-LINE DAMPER (DK)

Modern stoves today do not need a damper as the draft and combustion is controlled efficiently with the stove. Check with the manufacturer of the stove to see if a damper key (USP In-Line Damper) can be installed.

USP INCREASER (IN) AND REDUCER (RE)

The use of the Increaser (IN) is to increase the diameter of a system to accommodate a range of flue sizes, appliances and installations. See image, page 12.

The use of a Reducer (RE) is to reduce the connector diameter. Use of this part must be approved by the appliance manufacturer or authority having jurisdiction. Check prior to installing in the system. See image, page 13.

PROBE THERMOMETER (by others)

To assist in monitoring your system, it is permissible to install a probe type flue gas thermometer in the USP Connector Pipe as it is designed for use on double wall stove pipe. Follow the installation instructions provided by the probe thermometer manufacturer for proper installation.

RULE FOR SAFE OPERATION AND MAINTENANCE

Do not use fuel materials corrosive to the chimney such as driftwood, chemically treated wood or garbage or over fire your solid fuel appliance. This can cause failure of the USP Double Wall Stove Pipe and void any warranties.

When wood is burned slowly, it produces tar and other organic vapors, which combine with expelled moisture to form creosote. The creosote vapors condense in the relatively cool chimney flue of a slow-burning fire. As a result, creosote residue accumulates on the flue lining. When ignited, this creosote makes an extremely hot fire.

Some coals contain large amount of sulphur (up to 7%). Combined with moisture, deposits forms a highly corrosive acid (sulphuric acid). Burn only low sulphur coals (less than 1%).

With a new installation, the chimney should be inspected frequently (every 2 weeks if need be) to determine the rate of creosote formation. When familiar with the appliance and chimney characteristics, the chimney should be inspected at least once every 2 months during the heating season to determine if a creosote or soot build-up has occurred.

Never overfire your stove. If any part of the stove or connector pipe is glowing red, then you are overfiring. Immediately close the stove's dampers until the system is cool.

If you see deposits more than 2mm (1/16") thick, clean all connector pipe and chimney system mechanically (with a properly sized plastic cleaning brush) to reduce the risk of a chimney fire.

Do not expect chemical chimney cleaners to keep your chimney clean. Their use does not negate the necessity of periodically inspecting and mechanically cleaning your chimney.

Every chimney flue and flue pipe shall be inspected annually and cleaned as often as may be necessary to keep the chimney and flue pipe free from dangerous accumulation of combustible deposits.

Contact a local professional chimney sweep for chimney cleaning services and advice.

Chimney and flue pipe are particularly susceptible to off-season condensation. The incomplete combustion of wood produces acids which, when combined with moisture, are corrosive.

During the heating season, corrosion tends not to occur because the heat in the system evaporates the condensation of any water vapour that may be formed.

Warm, moist air during the summer months passes slowly through the heating system. It makes any remaining ash or creosote moist and soggy. Corrosion of steel occurs where these deposits remain.

Off-season corrosion can be reduced considerably if the system is thoroughly cleaned after the last fire of the heating season.

Where coal is burned, the system must be thoroughly cleaned within 48 hours of shutting down the system for the season and all soot be removed from the chimney system. This should be the most important cleaning the system receives all year. Air inlets should be closed and sealed if necessary to prevent the constant flow of air through the system.

CHIMNEY FIRES AND WHAT TO DO ABOUT THEM:

Your chimney or connector pipe are not intended or designed for use as a combustion or fire chamber. It is very easy to overfire your woodburning appliance with kindling, scrap lumber, brush or any fast burning fuel. This can produce flames and high temperatures all the way up the chimney, and may cause appliance, chimney and connector pipe damages.

If you see your appliance or the flue pipe glowing red, you are risking chimney damage or a fire. The creosote may be burning inside the chimney. If you see flames coming out at the top, you are either overfiring or there is a chimney fire. If the fire in your appliance has gotten out of control, or if you suspect a chimney fire for any reason, follow these steps:

1. Immediately close all dampers and/or air entrance openings to your appliance. Block off fireplace openings.

2. Alert your family to the possible danger.

3. Inspect your appliance and chimney surroundings for possible fire. If in doubt, alert your Fire Department.

4. Do not continue to operate your appliance until it and your chimney have been thoroughly inspected. Overheating can cause metal parts to expand, buckle and crack. If you are not certain, have a certified wood technician or certified chimney sweep disassemble all parts so they can be inspected and replaced.

5. Do not use salt or water on the fire in your appliance. Salt is corrosive and water will cause a dangerous steam explosion. You might be able to control the fire by using ashes, sand or baking soda. Baking soda is an ingredient used for dry chemical fire extinguishers.

6. After a chimney fire, when it is safe to do so, check internal locations such as the attic and under the roof and keep watching for two or three hours. There may be delayed smoldering and subsequent ignition, even if the fire inside the chimney has been controlled.

PARTS CHECK LIST

To complete a proper USP Double Wall Stove-pipe installation, the following parts may be required:

- Telescopic L (35-3/4"-68-1/2") *USP-TL
- Adjustable Length (2" - 4") *USP-AL6
- Adjustable Length (2" - 10") *USP-AL12
- Adjustable Length (2" - 16") *USP-AL18
- Adjustable Length (2" - 34") *USP-AL36
- Wide Finishing Band *USP-WFB
- 6" Pipe Length *USP-L6
- 12" Pipe Length *USP-L12
- 18" Pipe Length *USP-L18
- 24" Pipe Length *USP-L24
- 36" Pipe Length *USP-L36
- 48" Pipe Length *USP-L48
- 30° Elbow *USP-E30
- 45° Elbow *USP-E45
- 90° Elbow *USP-E90
- Tee Section (Includes Cap) *USP-T
- Increaser (5"-6") 5USP-IN6
- Increaser (6"-7") 6USP-IN7
- Increaser (7"-8") 7USP-IN8
- Reducer (8"-7") 8USP-RE7
- Reducer (8"-6") 8USP-RE6
- Reducer (7"-6") 7USP-RE6
- Masonry Adapter *USP-MA
- In-Line Damper *USP-DK
- 8" Oval to 8" Round Adapter 8USP-ORA
- 8" Oval to 6" Round Adapter 8USP-ORA6
- Low-Profile Stove Adapter *USP-LPSA
- JOTUL 6" Stove Adapter 6USP-SAJOTUL

* Denotes size of product:
6" (152mm), 7" (178mm), 8" (203mm).

KEEP YOUR CHIMNEY AND CHIMNEY CONNECTOR CLEAN!

PARTS CHECK LIST



USP-L



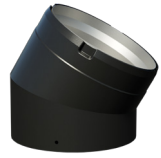
USP-AL



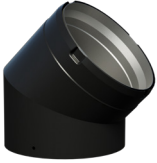
USP-TL



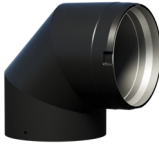
USP-T



USP-E30



USP-E45



USP-E90



USP-SAJOTUL



USP-IN



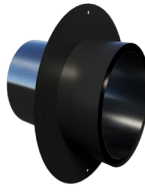
USP-RE



USP-DK



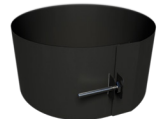
USP-ORA6



USP-MA



USP-LPSA

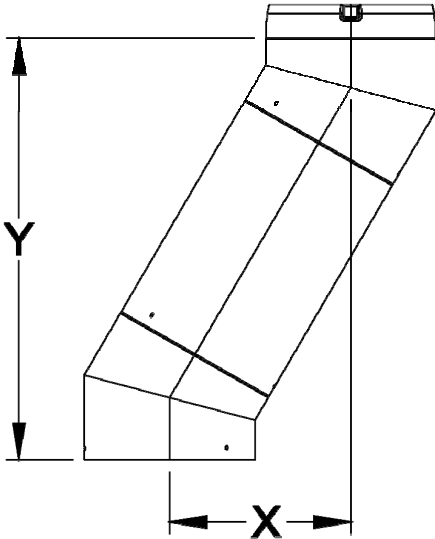


USP-WFB

USP OFFSET CHARTS WITH RIGID LENGTH

30° Elbow - 2x E30 with 1x Length			
Size	Pipe Length	Offset	Rise
		X	Y
6	0"	2 1/4	8 5/8
	6"	4 5/8	12 5/8
	12"	7 1/2	17 7/8
	18"	10 1/2	23
	24"	13 1/2	28 1/4
	36"	19 1/2	38 5/8
7	0"	2 3/8	9 1/8
	6"	4 3/4	13 1/8
	12"	7 5/8	18 3/8
	18"	10 5/8	23 1/2
	24"	13 5/8	28 3/4
	36"	19 5/8	39 1/8
8	0"	2 5/8	9 5/8
	6"	5	13 5/8
	12"	7 7/8	18 7/8
	18"	10 7/8	24
	24"	13 7/8	29 1/4
	36"	19 7/8	39 5/8
48"	25 3/8	49 1/8	

45° Elbow - 2x E45 with 1x Length			
Size	Pipe Length	Offset	Rise
		X	Y
6	0"	4	9 1/2
	6"	7 1/4	12 3/4
	12"	11 1/2	17
	18"	15 3/4	21 1/4
	24"	20	25 1/2
	36"	28 1/2	34
7	0"	4 1/4	10 1/4
	6"	7 1/2	13 1/2
	12"	11 3/4	17 3/4
	18"	16	22
	24"	20 1/4	26 1/4
	36"	28 3/4	34 3/4
8	0"	4 1/2	11
	6"	7 3/4	14 1/4
	12"	12	18 1/2
	18"	16 1/4	22 3/4
	24"	20 1/2	27
	36"	29	35 1/2
48"	36 3/4	43 1/4	



90° Elbow - 2x E90 with 1x Length			
Size	Pipe Length	Offset	Rise
		X	Y
6	0"	10 3/8	10 3/8
	6"	15	
	12"	21	
	18"	27	
	24"	33	
	36"	45	
7	0"	11 3/8	11 3/8
	6"	16	
	12"	22	
	18"	28	
	24"	34	
	36"	46	
8	0"	12 3/8	12 3/8
	6"	17	
	12"	23	
	18"	29	
	24"	35	
	36"	47	
48"	58		

USP OFFSET CHARTS WITH TELESCOPIC LENGTH

30° Elbow - 2x E30 with 1x Telescopic Length

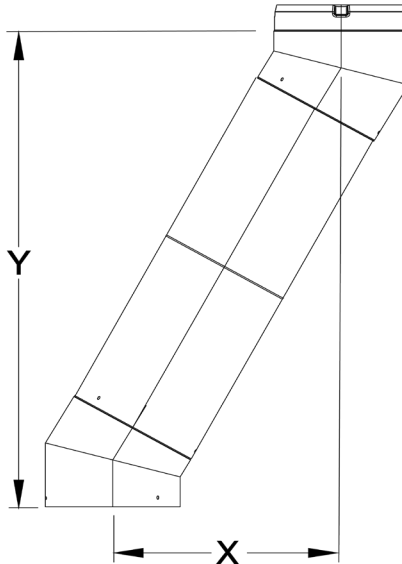
Size	Telescopic length		Offset		Rise	
			X		Y	
	Min	Max	MIN	MAX	MIN	MAX
6	35 3/4	68 1/8	20 1/8	36 1/4	39 5/8	67 5/8
7	35 3/4	68 1/8	20 1/4	36 3/8	40 1/8	68 1/8
8	35 3/4	68 1/8	20 1/2	36 5/8	40 5/8	68 5/8

45° Elbow - 2x E45 with 1x Telescopic Length

Size	Telescopic length		Offset		Rise	
			X		Y	
	Min	Max	MIN	MAX	MIN	MAX
6	35 3/4	68 1/8	29 1/4	52 1/8	34 3/4	57 5/8
7	35 3/4	68 1/8	29 1/2	52 3/8	35 1/2	58 3/8
8	35 3/4	68 1/8	29 3/4	52 5/8	36 1/4	59 1/8

90° Elbow - 2x E90 with 1x Telescopic Length

Size	Telescopic length		Offset		Rise	
			X		Y	
	Min	Max	MIN	MAX	MIN	MAX
6	35 3/4	68 1/8	46 1/8	78 1/2	10 3/8	
7	35 3/4	68 1/8	47 1/8	79 1/2	11 3/8	
8	35 3/4	68 1/8	48 1/8	80 1/2	12 3/8	



Note: Diagrams & Illustrations Are Not to Scale.

duravent[™]

GROUP

CONTACT INFORMATION



HART & COOLEY LLC
4460 44th Street N.E., Suite F
Grand Rapids, MI 49512
1.800.423.4270
info@americanmetalproducts.com



DURAVENT
877 Cotting Ct.,
Vacaville, CA 95688
1.800.835.4429
info@duraventgroup.com



HART & COOLEY LLC
4460 44th Street N.E., Suite F
Grand Rapids, MI 49512
1.800.423.4270
info@americanmetalproducts.com



SECURITY CHIMNEY
2125 Monterey Street
Laval, QC H7L 3T6
1.800.361.49009 (US)
1.800.667.3387 (CAN)
info@chemineesecurite.com



SELKIRK CANADA INC
P.O. Box 526, Depot 1
Hamilton , ON L8L 7X6
1.800.735.5475
cscanada@selkirkcorp.com



SELKIRK CORPORATION
4460 44th Street S.E., Suite F
Grand Rapids, MI 49512
1.800.835.4429
info@selkirkcorp.com

"DVG GLOBAL" LIMITED LIFETIME WARRANTY

Duravent Group ("Duravent", "Hart & Cooley", "Amerivent", "Security", "Selkirk", "we", "us", "our") warrants our Global Residential Chimney & Venting products (* defined below) ("Products") to be free from defects in material and workmanship at the time of manufacture. This warranty is only applicable to Products purchased through a listed/approved DVG brand customer. For Products installed after January 1, 2024, we will provide replacement product with a similar or like quality of available Duravent Global Product, **free of charge** (excluding any installation costs) for a period of ten (10) years from original installation. From the tenth (10th) anniversary of original installation through the fifteenth (15th) anniversary of original installation, we will provide replacement product at a cost of 75% off the published Retail Price in effect on the date we receive the claim (excluding any installation costs). At expiration of the fifteen (15) year period, we will provide replacement Product at a cost of 50% off the published Retail Price in effect on the date we receive the claim (excluding any installation costs). This warranty coverage is transferable from the original owner to the subsequent owners but only applies to products that remain at the site of original installation. The warranty period shall commence on the earlier of 24 months following the date of product shipment or the date of original installation.

PROFESSIONAL INSTALLATION:

If installation is performed by Professional Installers certified in Canada by WETT or IAPC or in the USA by NFI or CSIA, we will provide replacement product with a similar or like quality of available product, free of charge (excluding any installation costs) for the full Fifteen (15) year warranty period. To be eligible for this additional level of warranty coverage, the owner must provide a proof of installation by a Professional Installer when submitting a claim.

LIMITATIONS:

Buyer's remedies are limited to repair or replacement of the Product and do not include installation costs. Except as set forth herein, all other warranties (express or implied, including the warranties of merchantability and fitness for a particular purpose) are hereby disclaimed. It is agreed that repair or replacement shall be the sole and exclusive remedy of the buyer. In no event shall we be liable for any consequential, special, or punitive damages arising directly or indirectly from the Products whether based on warranty, contract, negligence or strict liability. This warranty provides no cash surrender value. The terms and conditions of this warranty may not be modified, altered or waived by any action, inaction, or representation, whether oral or in writing, except upon the express, written authority of an executive officer of Duravent Group (DVG).

All lengths, tees, elbows, and components supplied by us are subject to warranty coverage. Product supplied by us as replacement for original material will be subject to a one-year warranty coverage when properly installed pursuant to the manufacturer's installation instructions and appropriate codes.

WARNING: Failure to install or operate Products according to the manufacturer's instructions, or failure to use Products with residential appliances that have been certified at an accredited laboratory will void all applicable warranties.

THIS WARRANTY DOES NOT COVER:

- (a) any non-stainless steel tee unit mounted or connected to an Insulated Chimney system;
- (b) costs (labor or otherwise**) associated with either removing a previously installed Product, installing a replacement product, transportation or return of a Product, or transportation of replacement product;
- (c) damage to the finish of Products caused by the use of improper solvents/chemicals or improper (or lack of) cleaning methods;
- (d) damage resulting from normal wear and tear, smoke damage, or damage caused by chimney fires, corrosion from salt air or failure to reasonably clean, care for or maintain Products in accordance with our installation instructions/recommendations;
- (e) damage (to Products, appliances or structure) based on or resulting from improper installation or repair, misuse or abuse (including, but not limited to, excessive or improper operating condition), or alteration or adjustment other than in conformity with our installation instructions and specifications, whether performed by a contractor, service company, technician, or owner;
- (f) any Products that have been moved from their original installation site;
- (g) damage caused by burning driftwood, garbage, or any other prohibitive material that has been burned in the appliance served by the chimney;
- (h) damage that results from accidents such as riot, fire, flood, high winds, "acts of God", or any other contingency beyond our control.

**Due to the wide variance in installation practices and other conditions beyond our control, except as stated above, we do not guaranty or in any way warrant the installation of Chimney and Venting products.

CLAIM PROCEDURE: If you believe that a Product is defective, notify the applicable individual company by email or in writing at the address below:


HART & COOLEY LLC
 4460 44th Street S.E., Suite F
 Grand Rapids, MI 49512
 ATTN: WARRANTY CLAIMS
 1.800.423.4270
 info@americanmetalproducts.com


SELKIRK CORPORATION
 4460 44th Street S.E., Suite F
 Grand Rapids, MI 49512
 ATTN: WARRANTY CLAIMS
 1.800.433.6341
 info@selkirkcorp.com


DURAVENT
 877 Cotting Ct.,
 Vacaville, CA 95688
 ATTN: WARRANTY CLAIMS
 1.800.835.4429
 www.duravent.com


SELKIRK CANADA INC.
 P.O. Box 526, Depot 1,
 Hamilton, Ontario, CANADA, L8L 7X6
 ATTN: WARRANTY CLAIMS
 1.888.735.5475
 cscanada@selkirkcorp.com


HART & COOLEY LLC
 4460 44th Street S.E., Suite F
 Grand Rapids, MI 49512
 ATTN: WARRANTY CLAIMS
 1.800.433.6341
 info@hartcool.com


SECURITY CHIMNEY
 2125 Monterey Street
 Laval QC H7L 3T6
 ATTN: WARRANTY CLAIMS
 1.800.361.4909 (US)
 1.800.667.3387 (CAN)
 info@chemineesecurite.com

Notification of a claim under this limited warranty should include the following: a description of the Product including the model and serial number (if applicable), a copy of the original proof of purchase (including the date of purchase), proof of installation by a professional Installer (if applicable), images showing the Product as installed, and a description of the alleged product defect. We reserve the right to inspect or investigate any warranty claims prior to determining whether to provide replacement product. If, as determined by us in our sole discretion, the repair or replacement of the Product is not commercially practicable or cannot be completed in a timely manner, we may refund the prorated purchase price paid for the Product upon verification by providing a copy of your invoice or receipt of bill of sale.

