



Secure Temp[®] ASHT

1" Insulated Stainless Steel,
High-Temperature Chimney
UL 103 Type HT, CAN/ULC-629 (6", 7", 8" only),
and CAN/ULC-604



At Security Chimneys®, we have been manufacturing chimney since 1960

That makes us one of the oldest manufacturers of venting products in North America.

The knowledge and experience gained over the years is reflected in the quality of the venting products we offer today. Secure Temp ASHT is a perfect example. This high-quality all-fuel chimney was introduced in 1978 and was quickly adopted by professional installers for use with factory-built fireplaces.

Since then, a number of enhancements have been made for use with freestanding stoves. Hearth professionals favour ASHT for its slim profile and smaller frame size — ideal for tight spaces. The lighter weight also makes it easy on the back, an important feature for installers who climb ladders every day.



Secure Temp ASHT Features & Benefits

FEATURES	BENEFITS
Proven Engineered Design With Inner Flue and Outer Casing Both Made of Sturdy, High-Quality, Corrosion-Resistant Stainless Steel	<ul style="list-style-type: none"> • Long, dependable service life backed by our Limited Lifetime Warranty
Free-Floating Stainless Inner Flue	<ul style="list-style-type: none"> • Flue is fixed only to male coupler on one end leaving it free to accommodate thermal expansion & contraction • Minimizes risk of metal fatigue and associated buckling / tearing that can occur with use; especially during chimney fires
Laser-Welded Inner and Outer Seams	<ul style="list-style-type: none"> • Enhances vertical strength • Eliminates potential source of leakage • Improves product quality & consistency
Twist-Lock Assembly with End Couplers	<ul style="list-style-type: none"> • Enables quick connection of pipe lengths in seconds with just a 1/8th turn • Eliminates need for awkward locking bands • Multi-point contact between couplers combined with generous overlap adds cross-sectional strength and reliable joint connection
One-Inch Wall Thickness Filled With our Exclusive Mineral Wool Insulation	<ul style="list-style-type: none"> • Insulation helps to keep the heat in and the cold out • Maintains higher flue-gas temperatures for fast start-ups and stable draft performance • Reduces condensation and related creosote deposits – the fuel that feeds a chimney fire
Slim, Compact Profile And Lower Weight Yet Still Permits Installation with As Little As 2" Clearance-To-Combustibles	<ul style="list-style-type: none"> • Fits within a smaller frame and enclosure making it ideal for use in both renovation and new construction • ASHT is easy on the back - 6" diameter weighs in a just 5.2 lbs. per linear foot
Heavy-Duty Ceiling Supports with Integrated Coupler & Flue Extension	<ul style="list-style-type: none"> • Factory-assembled as a single part to minimize air leakage around chimney • Reduces number of parts needed and simplifies installation
Wide Variety Of Insulated Components and Vapor-Barrier Friendly Designs To Match Today's High-Efficient Homes	<ul style="list-style-type: none"> • Keeps heating dollars in the home instead of being lost through walls & ceilings • Taller shields to suit deeper attic insulation levels • Ability to seal around chimney minimizes potential air leakage • Reduces risk of severe condensation in cold climates • Helps to prevent water damage within exterior walls and within ceiling / roof assemblies
Universal Support Hardware	<ul style="list-style-type: none"> • Roof Brace, Roof Support, Wall Support, and Wall Band all feature universal collar that can be sized to fit any diameter of ASHT pipe
Limited Lifetime Warranty	<ul style="list-style-type: none"> • Our warranty is TRANSFERABLE to a future owner (competitor warranties are good only to the original purchaser) • Adds value for both the homeowner and prospective homeowner

Specifications

Applications

ASHT is a double-wall, all-fuel chimney system for use with wood stoves, wood fireplaces and other appliances using wood, oil, gas, or coal.

Materials and Construction

.016" 441 stainless steel inner wall.
.016" 430 stainless steel outer wall.
1" high-temperature mineral wool insulation. Laser welded seam.

Clearances

2" clearance to combustibles

Diameters

5", 6", 7", 8", 10"

Listings

UL 103 Type HT
CAN/ULC-629 (6", 7", 8" only)
CAN/ULC-604

CANADA: On wood or coal stove applications and in areas where the chimney is completely enclosed, a third pipe (premium shield) are required for inside installation at the ceiling level (see premium shield accessories section on pages 24, 25 and 26 for proper components).



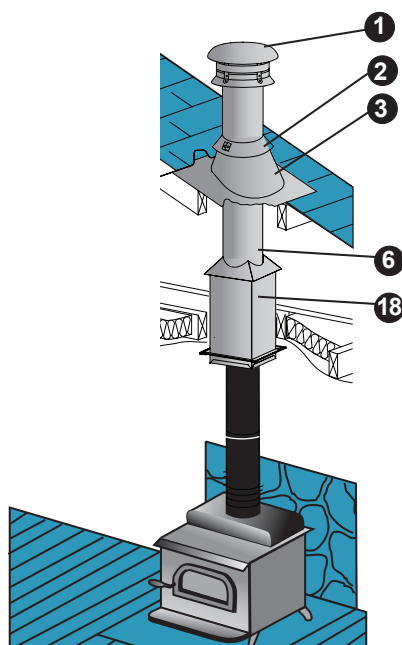
ASHT

ASHT is a double-wall, all-fuel chimney system for use with wood stoves, wood fireplaces and other appliances using wood, oil, gas, or coal. The use of stainless steel, selected for its resistance to high temperatures and corrosion, lends outstanding durability to the ASHT high-temperature chimney.

ASHT features 1" of high-temperature mineral wool insulation. This insulation minimizes heat loss through the chimney walls and can withstand intense heat. The free-floating inner lining is attached only to the male coupler at the top, expanding and contracting freely with temperature fluctuations. The external casing carries the structural load. All ASHT pipe lengths, elbows, and other fittings feature fast and easy twist-lock assembly with just one-eighth turn. Even better, ASHT uses universal support hardware to speed up installation and to dramatically reduce the number of SKUs you need to keep in inventory.



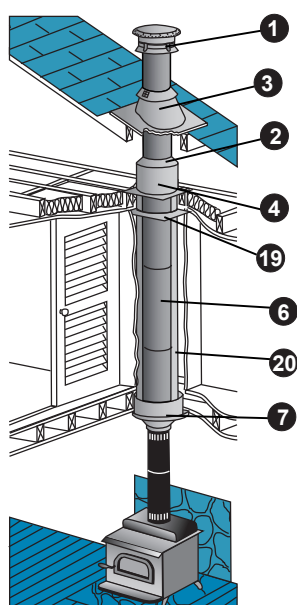
Typical Installations



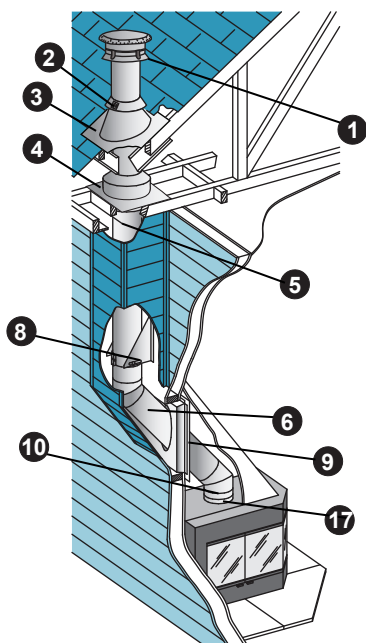
Single-Story Woodstove

Installation Key			
1	Vertical Cap	11	Floor Support
2	Storm Collar	12	Flue Extension
3	Adjustable Roof Flashing	13	Tee
4	Attic Radiation Shield	14	Wall Thimble
5	Firestop	15	Tee Cap
6	Length	16	Tee Support
7	Finishing Support	17	Anchor Plate (optional)
8	Wall Support	18	Insulated Reduced Clearance Support Box
9	Wall Radiation Shield	19	Radiation Shield Firestop Connector
10	Elbow	20	Telescopic Rigid Shield

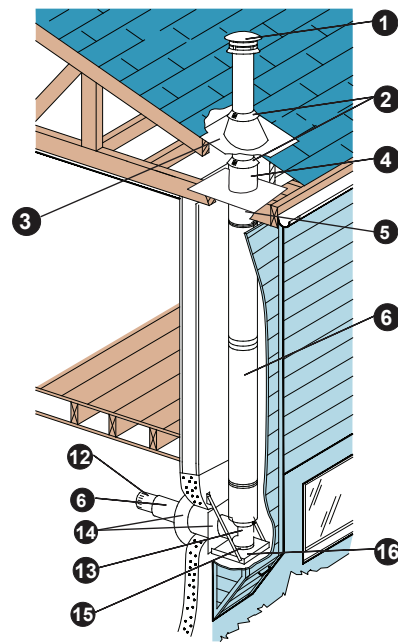
- Refer to our Typical Venting Installation drawings to select the appropriate component parts for your installation.
- Always refer to installation instructions for complete information.



Multi-Story Woodstove



Fireplace Through Exterior Insulated Chase



Exterior Installation To An Oil Furnace

For guidance in selecting stovepipe components, see our catalog for Ultimate Stovepipe (USP).

Loadbearing Capacity

From the chart below, select the support and chimney diameter for its maximum capacity.

Maximum Chimney Height					
∅ Interior	5"	6"	7"	8"	10"
Floor Support Plate	32	32	32	32	32
Reduced Clearance Support	--	60	50	45	--
Adjustable Tee Support	63	63	55	48	39
Roof Support	42	34	27	24	20
Wall Support	30	28	24	20	
Square Cathedral Support	--	60	50	45	35
Finishing Support	--	75	65	59	--

Size of Openings

The size of the opening may vary depending on the pitch of the roof.

Always maintain the minimum 2" clearances to the chimney. The only exception to this rule is with Reduced Clearance Supports (RCS). Consult our instructions.

∅ Interior	5"	6"	7"	8"	10"
Floor Support Plate	11 3/8"	12 3/8"	13 3/8"	14 3/8"	16 3/8"
Finishing Support	11 3/8"	12 3/8"	14 3/8"	14 3/8"	--
Roof Support	11 3/8"	12 3/8"	13 3/8"	14 3/8"	16 3/8"
Wall Thimble	11 3/8"	12 3/8"	13 3/8"	14 3/8"	16 3/8"
Firestop	11 3/8"	12 3/8"	13 3/8"	14 3/8"	16 3/8"
Cathedral Support	--	12 3/8"	14 3/8"	14 3/8"	--
Reduced Clearance Support	--	10 1/8"	11 1/8"	12 1/8"	--

General Specifications

∅ Interior	∅ Exterior	Insulation Thickness	Weight	Twist-Lock Assembly	Clearance
5"	7"	1"	4.1 lb./ft.	YES	2"
6"	8"	1"	5.2 lb./ft.	YES	2"
7"	9"	1"	6.4 lb./ft.	YES	2"
8"	10"	1"	7.2 lb./ft.	YES	2"
10"	12"	1"	8.9 lb./ft.	YES	2"

Planning Your Installation

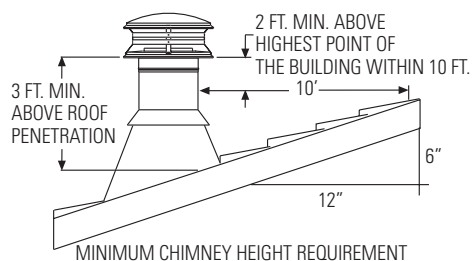


Figure 1

The following recommendations are a general guideline to assist in the layout and selection of the chimney components needed for your installation. Always follow ASHT Installation instructions when installing your chimney system (enclosed with any support). Installation instructions can be viewed online at www.securitychimneys.com.

- The diameter of the chimney should match the outlet size of the appliance. An improperly sized chimney results in poor draft and excessive creosote formation.
- Measure the diameter of the appliance flue outlet. Select the chimney connector stovepipe with the same size diameter as the appliance flue outlet.
- Determine if the installation is a through-the-roof installation or a through-the-wall installation. A through-the-wall installation will require additional components (Wall Thimble, Tee/Cap, Tee Support, Wall Bands, Flue Extension, and Decorative Collar).
- Install the chimney in the interior of the structure whenever possible. A cold exterior chimney will produce less draft and will generate more creosote.
- If possible, avoid offsets that serve to restrict the natural draft. A straight vertical installation is more efficient and less likely to develop creosote. If an offset is required to avoid rafters or other obstructions, measure the horizontal distance required and the vertical height available. 15°, 30° and 45° elbows are available. (Note: 45° elbows are only allowed in Canada. The maximum angle allowed in the U.S. is 30°.) A maximum of two offsets (four elbows) in a single installation are permitted. At least one suitable support is required for each offset.
- Determine the minimum chimney height above the roof line. Building codes require a minimum of 3' above the roof penetration and at least 2' higher than any portion of a building within 10'. See Figure 1. The termination cap is installed above that point. If chimney is more than 5' above the roof penetration, a Roof Brace is required.
- Measure the roof pitch. For example, a 6/12 pitch has a vertical rise of 6" over a horizontal distance of 12". Select the appropriate flashing.
- Determine the total length of chimney and stovepipe required for the installation. To calculate the installed length of 6"-8" ASHT chimney pipe, subtract 1 1/4" per joint. Subtract 1 3/8" per joint of USP stovepipe. Minimum chimney height, at sea level, of straight vertical chimney, is 10' to 15' above the appliance outlet. Higher elevations, or the use of elbows or a tee, will require approximately 30% to 60% more height to provide for an adequate draft.
- Be fire safe. Maintain at least 2" clearance to combustibles. Follow local building codes and have your chimney inspected by a certified professional.
- **Note:** In Canada, for wood stove applications, a Premium Shield is required for inside installation where the chimney is enclosed between two floors (see Premium Shield accessories section). Prior to installation, consult the detailed installation manual included with the support components.

Wall Support Kit



Through-Wall Option #1: Kit includes: Insulated Wall Thimble, Tee, Twist-Lock Tee Cap, Wall Support, Wall Band, Flue Extension, Decorative Sleeve, and Vertical Cap. With this option, Tee can be positioned above or below Wall Support.

SIZE	6"
ORDER #	6WSK-3

Exterior Kit



Through-Wall Option #2: Kit includes: Insulated Wall Thimble, Tee, Twist-Lock Tee Cap, Tee Support with Coupler, Wall Band, Flue Extension, Vertical Cap, Decorative Sleeve, and Spark Arrester. With this option, Tee is positioned on top of Tee Support.

SIZE	6"
ORDER #	6EK-3

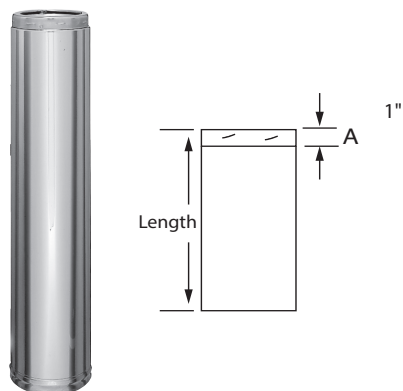
Interior Kit



Kit includes: Round Finishing Support with removable trim collar, Adjustable Insulated Attic Radiation Shield, and Vertical Cap.

SIZE	6"
ORDER #	6IKNC-3

Pipe Length



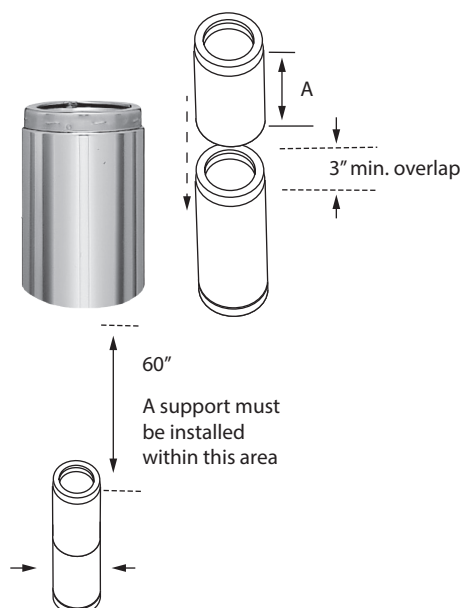
Available in sizes from 5 - to 10-inch diameters, the ASHT line offers double-wall, 1-inch insulated chimneys. Lengths twist-lock together with just an 1/8th rotation.

FOR USA ONLY: Available in Alu-Zinc outer casing for 6", 7", 8" (CODE GL)

SIZE		5"	6"	7"
Weight per foot (lbs)		4.1	5.2	6.4
LENGTH	EFFECTIVE LENGTH	ORDER #	ORDER #	ORDER #
8"	6 3/4"	5L8-3	6L8-3	7L8-3
12"	10 3/4"	5L12-3	6L12-3	7L12-3
18"	16 3/4"	5L18-3	6L18-3	7L18-3
24"	22 3/4"	5L24-3	6L24-3	7L24-3
36"	34 3/4"	5L36-3	6L36-3	7L36-3
48"	46 3/4"	5L48-3	6L48-3	7L48-3

SIZE		8"	10"
Weight per foot (lbs)		7.2	8.9
LENGTH	EFFECTIVE LENGTH	ORDER #	ORDER #
8"	6 3/4"	8L8-3	10L8-3
12"	10 3/4"	8L12-3	10L12-3
18"	16 3/4"	8L18-3	10L18-3
24"	22 3/4"	8L24-3	10L24-3
36"	34 3/4"	8L36-3	10L36-3
48"	46 3/4"	8L48-3	10L48-3

Adjustable Pipe Length



Used in combination with straight insulated lengths, the adjustable length makes it possible to fit a length perfectly, either vertically, horizontally, or at an angle.

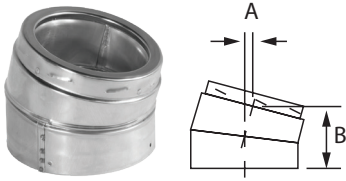
IMPORTANT: The adjustable length is not designed as a load bearing component. Its vertical installation requires an appropriate support on the section above it to bear the weight of the remaining installation.

FOR USA ONLY: Available in Alu-Zinc outer casing for 6", 7", 8" (CODE GL)

SIZE	5"	6"	7"
A	11 1/4"	11 1/4"	11 1/4"
LENGTH	ORDER #	ORDER #	ORDER #
12"	5LA-3	6LA-3	7LA-3

SIZE	8"	10"
A	11 1/4"	11 1/4"
LENGTH	ORDER #	ORDER #
12"	8LA-3	10LA-3

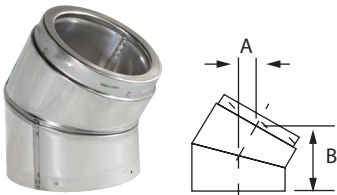
15° Elbow



Use to offset chimney around obstacles such as a joist or truss. A maximum of two offsets (4 elbows) is permitted. Each elbow is sold individually. **FOR USA ONLY: Available in Alu-Zinc outer casing for 6", 7", 8" (CODE GL)**

SIZE	5"	6"	7"	8"	10"
A			1/2"		
B			4 1/2"		
ORDER #	5E15-3	6E15-3	7E15-3	8E15-3	10E15-3

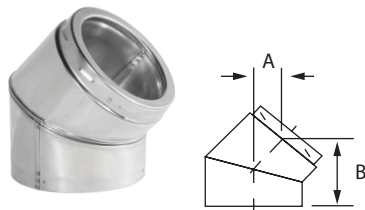
30° Elbow



Use to offset chimney around obstacles such as a joist or truss. A maximum of two offsets (4 elbows) is permitted. Each elbow is sold individually. **FOR USA ONLY: Available in Alu-Zinc outer casing for 6", 7", 8" (CODE GL)**

SIZE	5"	6"	7"	8"	10"
A			2"		
B			7 1/2"		
ORDER #	5E30-3	6E30-3	7E30-3	8E30-3	10E30-3

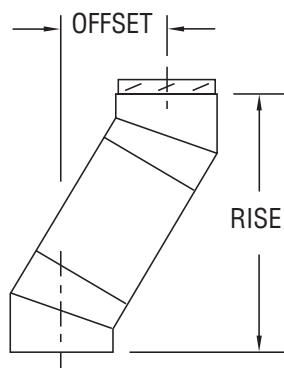
45° Elbow



Use to offset chimney around obstacles such as a joist or truss. A maximum of two offsets (4 elbows) is permitted. Each elbow is sold individually. **For use in Canada only.**

SIZE	5"	6"	7"	8"	10"
A			3"		
B			6 7/8"		
ORDER #	5E45-3	6E45-3	7E45-3	8E45-3	10E45-3

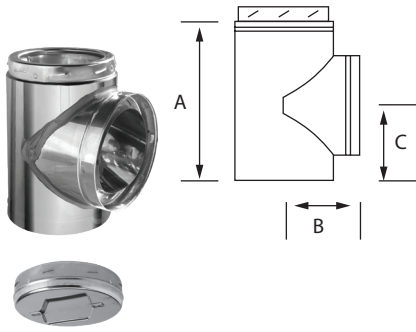
Offset Chart



Use to determine the lengths required for an installation. Determine the offset required in view of the obstacles that must be avoided. Refer to the offset/rise chart to determine the elbows required as well as the insulated lengths needed. Check the corresponding offset height dimensions. **45° Elbows are for use in Canada only.**

ELBOW OFFSET & RISE CHART								
Angle	Dia.	One length between elbows						
		8"	12"	18"	24"	36"	48"	
15°	6", 7", 8"	Offset	3 5/16"	4 5/16"	5 7/8"	7 7/16"	10 1/2"	13 5/8"
		Rise	15 11/16"	19 9/16"	36 3/8"	31 3/16"	42 3/4"	54 3/8"
		Two lengths between elbows						
		8" & 48"	12" & 48"	18" & 48"	24" & 48"	36" & 48"	48" & 48"	
		Offset	15 3/8"	16 7/16"	18"	19 1/2"	25 5/8"	25 3/4"
		Rise	60 15/16"	64 13/16"	70 9/16"	76 3/8"	87"	99 9/16"
Angle	Dia.	One length between elbows						
		8"	12"	18"	24"	36"	48"	
30°	6", 7", 8"	Offset	7 7/16"	9 7/16"	12 7/16"	15 7/16"	21 7/16"	27 7/16"
		Rise	20"	23 1/2"	28 11/16"	33 7/8"	44 1/4"	54 11/16"
		Two lengths between elbows						
		8" & 48"	12" & 48"	18" & 48"	24" & 48"	36" & 48"	48" & 48"	
		Offset	30 13/16"	32 13/16"	35 13/16"	38 13/16"	44 13/16"	50 13/16"
		Rise	60 9/16"	64"	69 1/4"	74 7/16"	84 13/16"	95 1/4"
Angle	Dia.	One length between elbows						
		8"	12"	18"	24"	36"	48"	
45° (CANADA ONLY)	6", 7", 8"	Offset	10 5/16"	13 3/16"	17 3/8"	21 5/8"	30 1/8"	38 5/8"
		Rise	17 13/16"	20 5/8"	24 7/8"	29 1/8"	37 5/8"	46 1/8"
		Two lengths between elbows						
		8" & 48"	12" & 48"	18" & 48"	24" & 48"	36" & 48"	48" & 48"	
		Offset	43 7/16"	46 1/4"	50 1/2"	54 3/4"	63 1/4"	71 11/16"
		Rise	50 15/16"	53 3/4"	58"	62 1/4"	70 3/4"	79 3/16"

Tee



Located at the base of the chimney, it provides the horizontal connection to the appliance. An insulated Tee Cap (TCI) is included. **FOR USA ONLY: Available in Alu-Zinc outer casing for 6", 7", 8" (CODE GL)**

SIZE	5"	6"	7"	8"	10"
A	9 1/2"	10 1/2"	11 3/4"	13"	15"
B	4 3/4"	5 1/4"	5 1/4"	6 1/4"	7 1/4"
C	5 1/2"	6"	6 1/2"	7 1/4"	8 1/4"
ORDER #	5TI-3	6TI-3	7TI-3	8TI-3	10TI-3

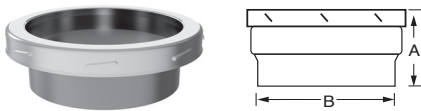
Tee Cap (Twist-Lock)



The twist-lock cap makes inspection access and servicing easy.

SIZE	5"	6"	7"	8"	10"
ORDER #	5TCI	6TCI	7TCI	8TCI	10TCI

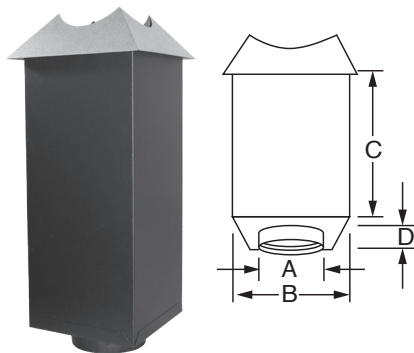
Flue Extension



Used to make the transition from insulated chimney to stovepipe in a through-the-wall installation. Refer to installation instructions for more details.

SIZE	5"	6"	7"	8"	10"
A	3"				
B	5"	6"	7"	8"	10"
ORDER #	5CA	6CA	7CA	8CA	10CA

Insulated Reduced Clearance Support box

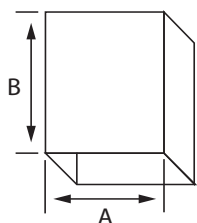


Use to support chimney with flat, vaulted, or cathedral ceiling. Certified to reduce clearances from 2" to just 1" for any portion of chimney shielded within the support's box. Note: Any exposed chimney above the support still requires minimum 2" clearances-to-combustibles. Reduced clearance allows for smaller opening & frame within ceiling. Support can also serve as the Attic Radiation Shield. Includes top collar as shown, insulation, and two-piece adjustable black finish trim. Integrated adapter accepts either single-wall or double-wall stovepipe.

SIZE	6"	7"	8"
A	6"	7"	8"
B	10"	11"	12"
C	24"		
D	2"		
ORDER #	6RCS	7RCS	8RCS

Reduced Clearance Support Extension

This part is designed to extend the height of the Insulated Reduced Clearance Support (RCS) by 22" when additional height is required.

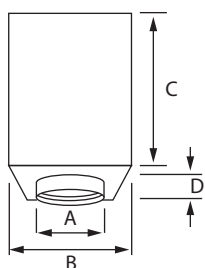


SIZE	6"	7"	8"
A	10"	11"	12"
B	24"	24"	24"
ORDER #	6SE	7SE	8SE

Square Cathedral Ceiling Support

Support for use with vaulted or cathedral ceilings. 6" version fits within 12" x 12" frame. Larger 7" and 8" versions will fit within frame between 16"-on-center construction. Includes two-piece adjustable black finish trim. Integrated adapter accepts both single-wall or double-wall stovepipe.

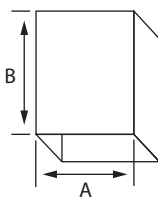
Note: Where attic is located immediately above this support, an attic radiation shield is required.



SIZE	6"	7"	8"
A	6"	7"	8"
B	12"	14 3/8"	14 3/8"
C	24"		
D	2"		
ORDER #	6SSC24	7SSC24	8SSC24

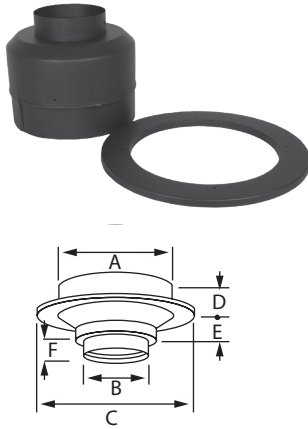
Square Cathedral Ceiling Support Extension

Use to extend the height of the Square Cathedral Ceiling Support (SSC24) by up to 22".



SIZE	6"	7"	8"
A	12"	14 3/8"	14 3/8"
B	24"		
ORDER #	6PS24	PS24	PS24

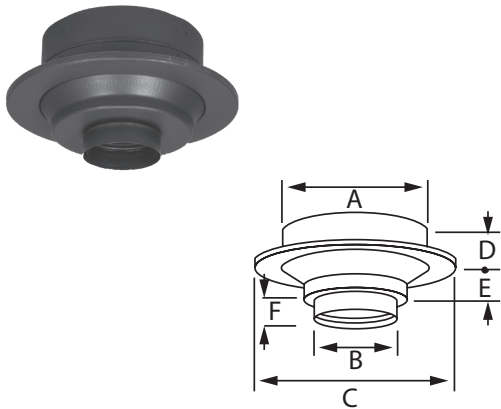
Round Finishing Support with Removable Trim



Round Finishing Support for use on flat ceiling. Fits within 12-3/8" x 12-3/8" frame. Integrated adapter accepts either single-wall or double-wall stovepipe. Removable trim collar allows collar to be fastened in place after the finished ceiling is completed.

SIZE	5"	6"
A	12"	
B	5 1/4"	6"
C	17"	
D	5 1/2"	
E	3"	
F	2"	
ORDER #	5SFCA	6SFCA

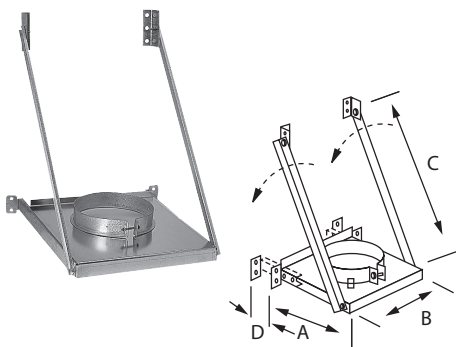
Round Finishing Support



Same as above except collar is fixed; not removable. Integrated adapter accepts either single-wall or double-wall stovepipes.

SIZE	5"	6"	7"	8"
A	12"	12"	14 3/8"	14 3/8"
B	5 1/4"	6"	7"	8"
C	17"		20"	
D	5 1/2"			
E	3"			
F	2"			
ORDER #	5SFC-1	6SFC-1	7SFC	8SFC

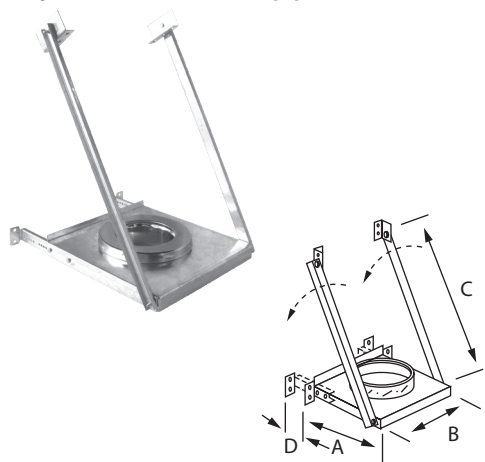
SME Adjustable Tee Support w/ Collar-Clamp



Use to support insulated tee on through-wall chimney installation. For installation versatility and convenience, tee can be placed above or below the support. Can also be used as a wall support or re-support. Adjustable arms and sliding base plate are factory-set to ensure minimum clearance of 2". Allows for 2" - 7" clearance to combustibles.

SIZE	5"	6"	7"	8"	10"
A	13"	13"	13"	13"	16"
B	16"				
C	26 3/4"				
D	0" to 5"				
ORDER #	5SME	6SME	7SME	8SME	10SME

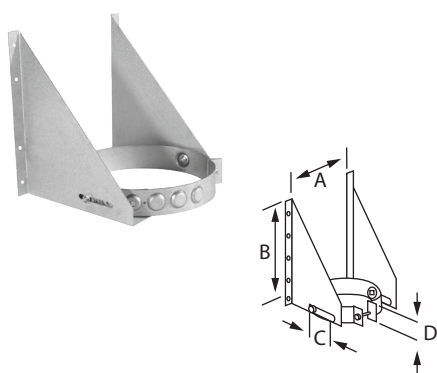
Adjustable Tee Support



This part supports the chimney at the base of the installation, functioning similarly to the tee support (SM) but with an adjustable base to provide additional wall clearance as needed. This tee support must be installed with the insulated tee cap (TCS) included with the insulated tee.

SIZE	5"	6"	7"	8"	10"
A	11 1/2"	11 1/2"	15 1/2"	15 1/2"	15 1/2"
B	15"				
C	26 3/4"				
D	0" to 5"				
ORDER #	5SMA-2	6SMA-2	7SMA-2	8SMA-2	10SMA-2

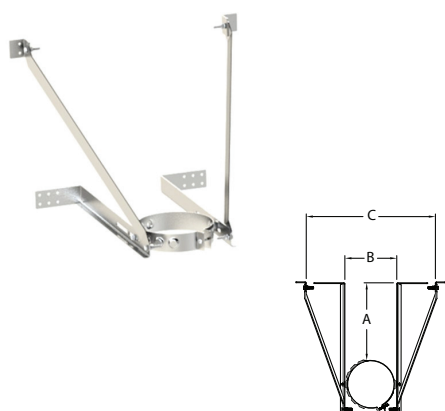
Wall-Support (UNIVERSAL)



Use to support the chimney on a vertical wall. The triangular plates allow for a 2 3/4" adjustment of the support to the vertical surface. This support can also be used as a wall support above the insulated tee or as a support for an offset elbow. Refer to chart for load bearing capacity. In shorter chimney stack applications, the Wall-Support can also be used in place of a Tee Support. Universal design works with 5", 6", 7", or 8" pipe diameters.

SIZE	5"	6"	7"	8"	10"
A	8 1/2"	9 1/2"	10 1/2"	11 1/2"	13 1/2"
B	12"				
C	2 3/4"				
D	2"				
ORDER #	S0-2			XS0-2	

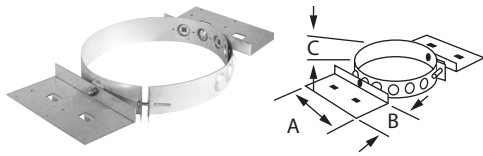
Universal Extended Wall Support



Designed to support a vertical wall installation above the Insulated Tee. Will support up to 35' of chimney. Adjusts up to 12" from a vertical wall and will allow the chimney to pass by a 12" overhang (soffit). Includes Universal Collar, 2 Lower Support Arms, 2 Upper Support Arms, 2 Support Arm Brackets, Hardware Pack and Instructions.

SIZE	6"	7"	8"
A	7" to 14"	6 1/2" to 13 1/2"	6" to 13"
B	9 1/2"	10 1/2"	11 1/2"
C	23"	24"	25"
MAX SUPPORT CAPACITY	35'	27'	25'
ORDER #	UEWS-1		

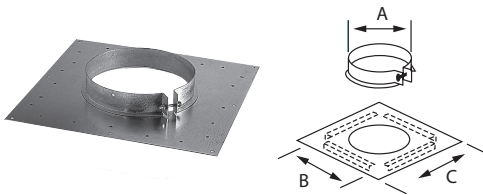
Roof Support (UNIVERSAL)



The roof support is versatile. A universal collar allows it to fit 5", 6, "7" and 8" chimney. It is typically used to support a chimney at the roof-deck. The mounting brackets easily adjust to suit any pitch. It can also be used as a wall-support when placed upon a floor or mounted to a ceiling; or as offset support. Please refer to instructions for more details.

SIZE	5"	6"	7"	8"	10"
A			8"		
B			4"		
C			2"		
ORDER #		ST			XST

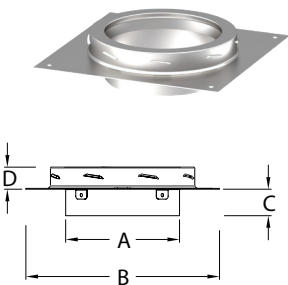
Floor Support Plate



Use to support the chimney on a slab, floor, or joist. It includes a tightening collar that locks around the chimney and is secured by self-tapping screws (included). The collar rests on a horizontal plate screwed or nailed to the floor or slab. It can also serve as an intermediate support. Refer to chart for load bearing capacity.

SIZE	5"	6"	7"	8"	10"
A	7"	8"	9"	10"	12"
B	11"	12"	13"	14"	20"
C	16"	16"	16"	18"	18"
ORDER #	5SD	6SD	7SD	8SD	10SD

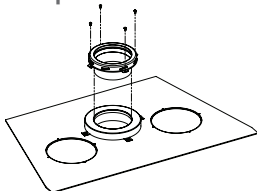
Anchor Plate



Attach to a masonry or factory-built fireplace to provide proper connection to the chimney. The Anchor Plate can also be used with furnaces or boilers.

SIZE	5"	6"	7"	8"	10"
A	5"	6"	7"	8"	10"
B		12"			14"
C			2"		
D			3"		
ORDER #	5SP	6SP	7SP	8SP	10SP

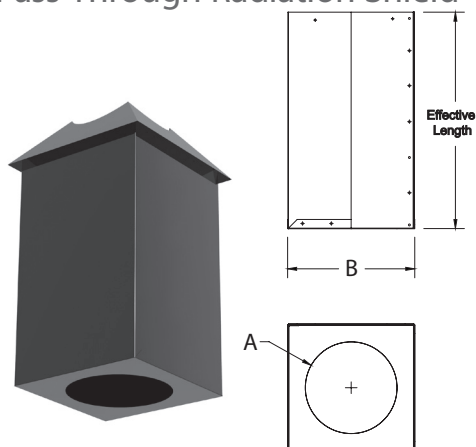
IHP Adapter



Adapt IHP fireplaces to allow connection to Security's ASHT Chimney.

SIZE	6"	7"
ORDER #	6IHP1	7IHP1

Pass-Through Radiation Shield

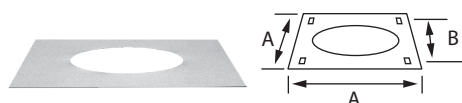


Use when insulated chimney passes up through a ceiling penetration from below. Suited for flat, vaulted, or cathedral applications. Integrated Firestop on bottom. Top can serve as an Attic Radiation Shield where required.

Factory insulation and square-to-round collar are included. Effective height (length) with standard extension is adjustable from 24" up to maximum of 46".

SIZE	6"	7"	8"
A	8 ¼"	9 ¼"	10 ¼"
B	12" x 12"	13" x 13"	14" x 14"
ORDER #	6SRSE	7SRSE	8SRSE

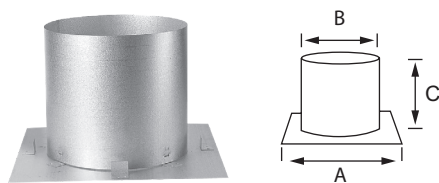
Firestop



Use below each combustible floor the chimney passes through.

SIZE	5"	6"	7"	8"	10"
A	14"	16"	16"	16"	18"
B	11"	12"	13"	14"	16"
ORDER #	5BF	6BF	7BF	8BF	10BF

Firestop Radiation Shield

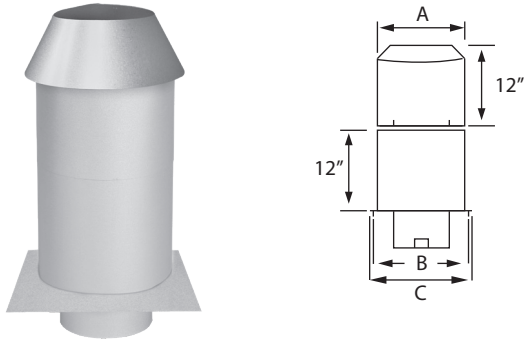


Can be used as alternative to the standard firestop. This version includes radiation shield. May be required by some appliance manufacturers.

SIZE	5"	6"	7"	8"	10"
A	16"				
B	10"	11"	12"	13"	15"
C	10"				
ORDER #	5RS	6RS	7RS	8RS	10RS

Adjustable Insulated Attic Radiation Shield

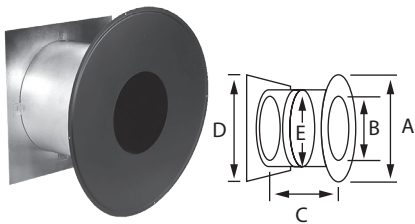
Two-piece overlapping design adjusts from 12" up to 22" height to accommodate deeper levels of insulation. Part is factory-insulated and includes both the base plate and collar as shown.



SIZE	5"	6"	7"	8"	10"
A	11"	12"	13"	14"	16"
B	11"	12"	13"	14"	16"
C	16"				18"
ORDER #	5ARSA	6ARSA	7ARSA	8ARSA	10ARSA

Wall Thimble

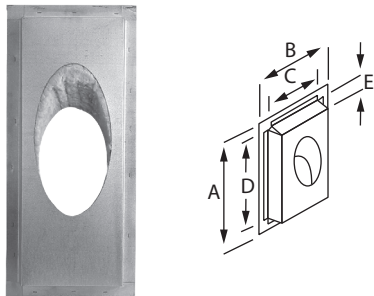
Designed to protect surrounding combustible materials when a chimney passes through a wall. Thimble works with wall thicknesses from 7" up to 12-1/2". Can be trimmed for use with thinner walls. Includes painted Decorative Collar for interior finish. Insulated to prevent heat loss or cold air intrusion.



SIZE	5"	6"	7"	8"	10"
A	17"	18"	21"	21"	24"
B	7 1/4"	8 3/8"	9 5/8"	10 5/8"	12 3/8"
C	7 1/2" to 12 1/2"				
D	14"	16"		18"	
E	11"	12"	13"	14"	16"
ORDER #	5RSM-2	6RSM-2	7RSM-2	8RSM-2	10RSM-2

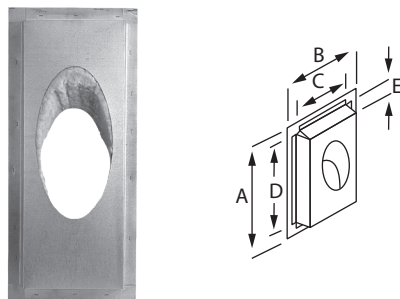
Wall Radiation Shield - 30°

This part is to be used only with a wood-burning fireplace that has been certified for use with the chimney. It has been designed for use when the chimney passes through a wall at an angle.



SIZE	6"	7"	8"	10"
A	34 3/4"	37 1/4"	39 1/4"	42 3/4"
B	15 1/8"	16 1/8"	17 1/8"	18 7/8"
C	11"	12"	13"	14 3/4"
D	30 5/8"	33 1/8"	35 1/8"	38 3/4"
E	3"			
ORDER #	6RSMI30	7RSMI30	8RSMI30	10RSMI30

Wall Radiation Shield - 45°

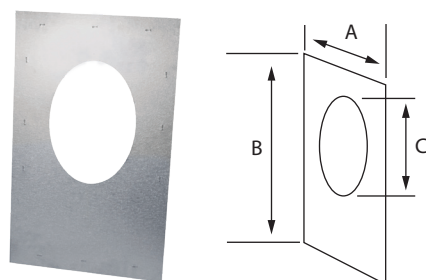


This part is to be used only with a wood-burning fireplace that has been certified for use with the chimney. It has been designed for use when the chimney passes through a wall at an angle.

For use in Canada only.

SIZE	6"	7"	8"	10"
A	24 3/8"	26 1/8"	27 1/2"	30"
B	15 1/8"	16 1/8"	17 1/8"	18 7/8"
C	11"	12"	13"	14 3/4"
D	20 1/4"	22"	23 3/8"	25 7/8"
E	3"			
ORDER #	6RSMI45	7RSMI45	8RSMI45	10RSMI45

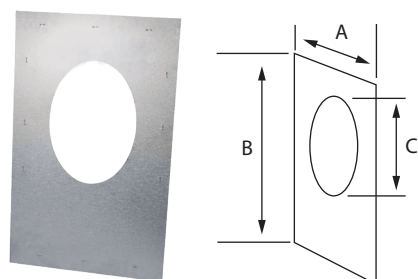
Angled Firestop - 30°



For use with factory-built fireplaces certified with ASHT.

SIZE	6"	7"	8"	10"
A	15 3/8"	16 5/8"	17 5/8"	19 3/8"
B	35 1/4"	37 3/4"	39 3/4"	43 5/16"
C	13 5/16"	14 9/16"	15 9/16"	17 3/8"
ORDER #	6RSM30	7RSM30	8RSM30	10RSM30

Angled Firestop - 45°

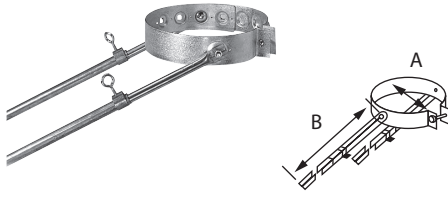


For use with factory-built fireplaces listed with ASHT.

For use in Canada only.

SIZE	6"	7"	8"	10"
A	15 5/8"	16 5/8"	17 5/8"	19 3/8"
B	24 7/8"	26 5/8"	28"	30 1/2"
C	9 15/16"	10 13/16"	11 1/2"	12 3/4"
ORDER #	6RSM45	7RSM45	8RSM45	10RSM45

Roof Brace (UNIVERSAL)

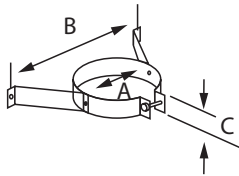
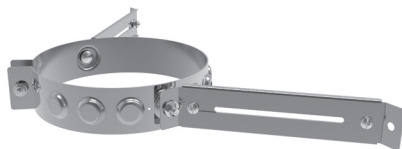


Required to stabilize chimney against wind-loading when 5 feet or more extends above the roof-line. Adjustable collar works with 5", 6", 7", or 8" pipe. Brace arms are adjustable from 60" up to 115".

Note: Not intended to provide protection against sliding ice or snow on a metal roof.

SIZE	5"	6"	7"	8"	10"
A	7"	8"	9"	10"	12"
B	60"				
ORDER #	BS2				XBS2

Wall Strap (UNIVERSAL)

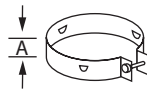


Use to provide lateral stability when chimney runs up an interior or exterior wall. Adjustable arms slide in or out to set required clearances. Adjustable collar works with 5", 6", 7", or 8" pipe.

Note: The use of a universal wall strap at intervals of 8' is recommended.

SIZE	5"	6"	7"	8"	10"
A	7"	8"	9"	10"	12"
B	19"	21"	23"	25"	29"
C	2"				
ORDER #	BM-2				XBM-2

Guy Wire Band

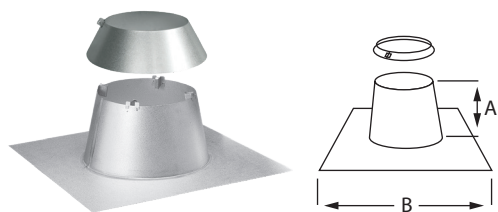


Can be used to provide added stability to a chimney that protrudes from 5' up to 13' above a roof. Collar includes three eyelets for attaching wire rope (wire rope not included).

Note: Not intended to provide protection from sliding ice & snow.

SIZE	6"	7"	8"	10"
A	2"			
ORDER #	6BH	7BH	8BH	10BH

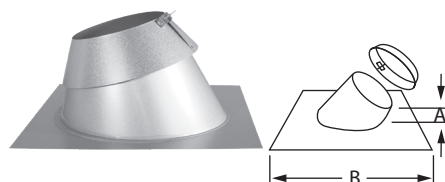
Flat Roof Flashing



Used where the chimney passes through a flat roof surface. Made of galvanized steel. Storm collar included.

SIZE	5"	6"	7"	8"	10"
A	7½"				
B	20"	24"			
ORDER # (CANADA)	5F	6F	7F	8F	10F
ORDER # (USA)	5FR	6FR	7FR	8FR	10FR

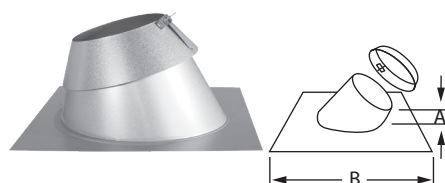
Adjustable Roof Flashing



Used where the chimney passes through a roof with a roof pitch greater than 0/12. Choose from three different versions to match roof pitch. Storm collar is included.

SIZE		5"	6"	7"	8"	10"
1/12 - 7/12	A	6"				
	B	24"				
	ORDER # (CANADA)	5FA	6FA	7FA	8FA	10FA
	ORDER # (USA)	5FAR	6FAR	7FAR	8FAR	10FAR
8/12 - 12/12	A	6"		4¾"	37/8"	37/8"
	B	24"				30"
	ORDER # (CANADA)	5FB	6FB	7FB	8FB	10FB
	ORDER # (USA)	5FBR	6FBR	7FBR	8FBR	10FBR
12/12 - 21/12	A	--	6¼"			
	B	--	36"			42"
	ORDER # (CANADA)	--	6FBB	7FBB	8FBB	10FBB
	ORDER # (USA)	--	6FBBR	7FBBR	8BBR	10FBBR

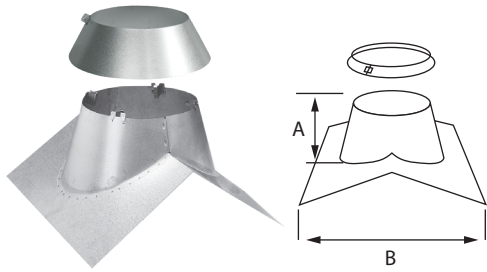
DSA Roof Flashing



This flashing features a base plate made of malleable (aka "Dead-Soft") aluminum. This material is easily shaped-by-hand to match corrugated metal roofing or rounded clay-tile shingles. Storm Collar is included.

SIZE		6"	7"	8"
1/12 - 7/12 Aluminum Malleable	A	6"		
	B	36"		
	ORDER # (CANADA)	6FAA	7FAA	8FAA
	ORDER # (USA)	6FAAR	7FAAR	8FAAR
8/12 - 12/12 Aluminum Malleable	A	6"	6¾"	67/8"
	B	36"		
	ORDER # (CANADA)	6FBA	7FBA	8FBA
	ORDER # (USA)	6FBAR	7FBAR	8FBAR

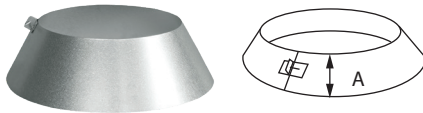
Peak Roof Flashing



Used when the chimney passes through the peak of a roof. Choose from two different versions to match roof pitch. Storm collar included. Galvanized construction.

SIZE		6"	7"	8"	10"
3/12 - 6/12	A	3 5/8"			
	B	12"	13"	13 1/2"	15"
	ORDER # (CANADA)	6FP	7FP	8FP	10FP
	ORDER # (USA)	6FPR	7FPR	8FPR	10FPR
9/12 - 12/12	A	5"	4"	3 1/4"	1 1/2"
	B	14"			
	ORDER # (CANADA)	6FPB	7FPB	8FPB	10FPB
	ORDER # (USA)	6FPBR	7FPBR	8FPBR	10FPBR

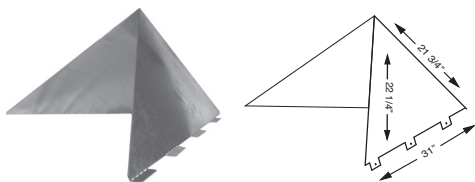
Storm Collar



Collar fits over flashings to help prevent water intrusion. Generous shoulder width ensures effective protection in all climates when installed as directed. **Included with all roof flashing.**

SIZE	5"	6"	7"	8"	10"
A	5"				
ORDER #	5FC	6FC	7FC	8FC	10FC

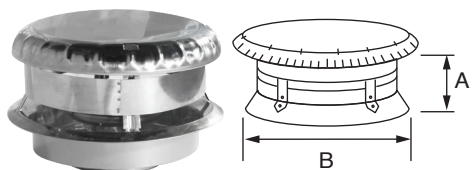
Snow Splitter (UNIVERSAL)



Ships flat, and folds easily on the job site. Includes 8 fastening flanges (4 on each side) for mounting. Made with heavy 14 gauge galvanized steel.

SIZE	5"	6"	7"	8"
ORDER #	FSD			

Vertical Cap

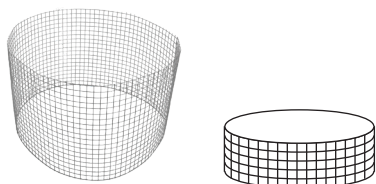


A vertical cap is required to prevent precipitation from entering the chimney. Unique clamp design allows for universal fit on any chimney with either a one-inch (ASHT) or two-inch (S2100) wall thickness.

Note: Check local codes to determine if an optional spark arrester is required.

SIZE	5"	6"	7"	8"	10"
A	4 3/4"	4 3/4"	4 3/4"	4 3/4"	4 3/4"
B	12 1/4"	12 1/4"	12 1/4"	15 1/2"	15 1/2"
ORDER #	5CC	6CC	7CC	8CC	10CC

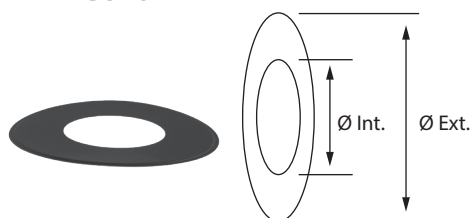
Universal Spark Arrester Band



This band is wrapped around the vertical cap. Its purpose is to help prevent burning embers from escaping. As an added benefit, it keeps birds and other small animals from entering the chimney. Mesh must be cut to suit cap. Made of Stainless Steel.

SIZE	5"	6"	7"	8"
ORDER #	PE			

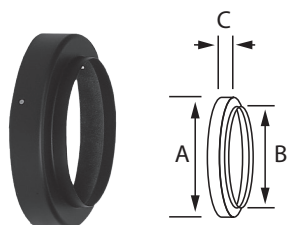
Trim Collar



The optional decorative Trim Collar can be used to help provide a professional finish around the chimney when passing through a non-combustible wall.

SIZE	6"	7"	8"
Ø INTERIOR	8 3/8"	9 5/8"	10 5/8"
Ø EXTERIOR	18"	21"	21"
ORDER #	6PF	7PF	8PF

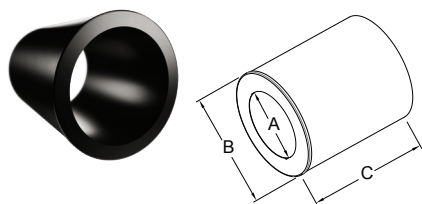
Decorative Collar Single-Wall Stovepipe



Used in through-wall installations. Provides decorative finish with transition between chimney and single-wall stovepipe.

SIZE	5"	6"	7"	8"
A	7"	8"	9"	10"
B	5 1/8"	6 1/8"	7 1/8"	8 1/8"
C	1"			
ORDER #	5PB	6PB	7PB	8PB

Decorative Sleeve



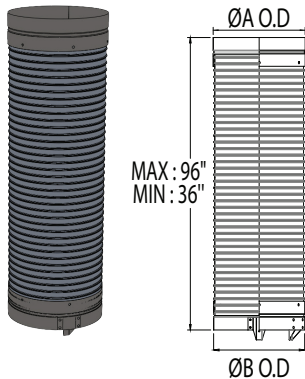
Used to provide a decorative finish to the horizontal length within the room when passing through a non-combustible wall and through the Insulated Wall Thimble. Metallic black finish.

SIZE	6"	7"	8"
A	6 1/4"	7 1/4"	8 1/4"
B	8 3/16"	9 7/16"	10 7/16"
C	12"	12"	12"
ORDER #	6DS	7DS	8DS

Premium Shields Accessories

In Canada, a Premium Shield is required around the chimney for installations of wood / coal appliances when completely enclosed in an interior application. Below you will find the available Premium Shield components.

Flexible Length Radiation Shield

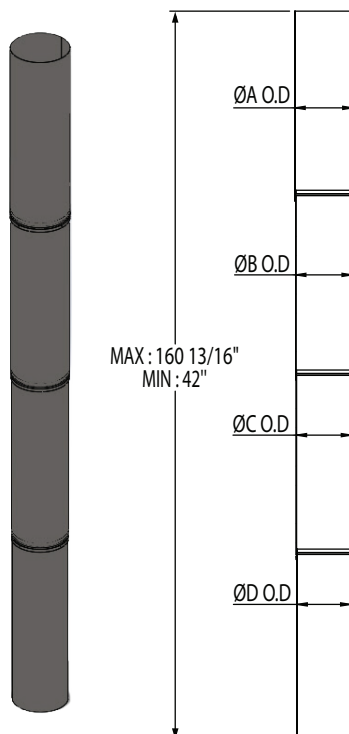


Designed for use in the same applications as a rigid shield where an offset is required. Its adjustable design accommodates varying installation configurations, with a minimum height of 36" and a maximum height of 96". When the required height exceeds the maximum length of 96", two Flexible Lengths Radiation Shields (FLRS-3) can be connected together, either directly or by using a Radiation Shield Swivel Adapter (RSSAD-3) between them.

For use in Canada only.

SIZE	6"	7"	8"
ØA O.D	10 ⁹ / ₁₆ "	11 ⁹ / ₁₆ "	12 ⁹ / ₁₆ "
ØB O.D	10 ¹ / ₂ "	11 ¹ / ₂ "	12 ¹ / ₂ "
ORDER #	6FLRS-3	7FLRS-3	8FLRS-3

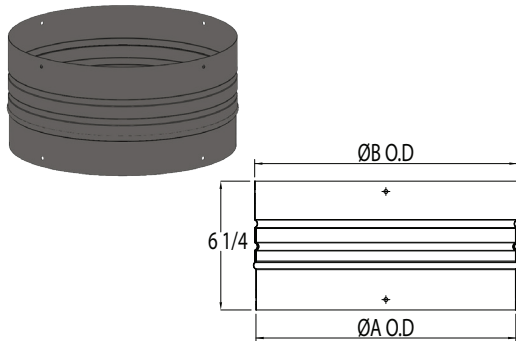
Telescopic Rigid Length Radiation Shield



Used as a protective casing around the chimney when it is enclosed within a building structure, such as between floors or inside a chase. It is securely fastened with screws to a radiation shield connector (RSC-3) at each floor or ceiling level. The telescopic design allows for height adjustment with a minimum height of 42" and a maximum height of 160 13/16". **For use in Canada only.**

SIZE	6"	7"	8"
ØA O.D.	10 ⁹ / ₁₆ "	11 ⁹ / ₁₆ "	12 ⁹ / ₁₆ "
ØB O.D.	10 ¹ / ₂ "	11 ¹ / ₂ "	12 ¹ / ₂ "
ØC O.D.	10 ³ / ₁₆ "	11 ³ / ₁₆ "	12 ³ / ₁₆ "
ØD O.D.	9 ⁷ / ₁₆ "	10 ⁷ / ₁₆ "	11 ⁷ / ₁₆ "
ORDER #	6TRLRS-3	7TRLRS-3	8TRLRS-3

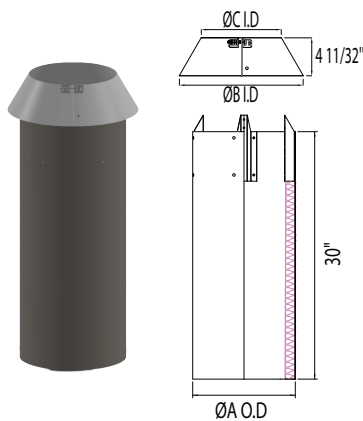
Radiation Shield Swivel Adaptor



Designed as an optional component, this part facilitates connections in confined or hard-to-access spaces. It enables easier assembly between two Flexible Length Radiation Shields (FLRS-3) or between a Flexible Length Radiation Shield (FLRS-3) and a Radiation Shield Connector (RSC-3). **For use in Canada only.**

SIZE	6"	7"	8"
ØA INTERIOR	10 ³ / ₁₆ "	11 ³ / ₁₆ "	12 ³ / ₁₆ "
ØB EXTERIOR	10 ⁷ / ₁₆ "	11 ⁷ / ₁₆ "	12 ⁷ / ₁₆ "
ORDER #	6RSSAD-3	7RSSAD-3	8RSSAD-3

Radiation Shield Connector

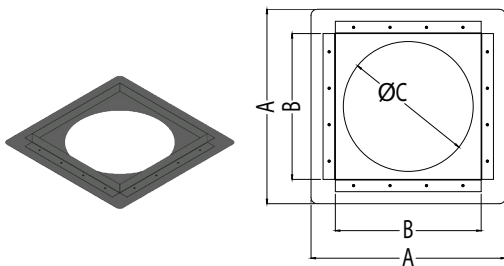


Used in conjunction with a Radiation Shield Support Connector (RSSC-3) or a Radiation Shield Firestop Connector (RSFC-3) when the enclosed chimney passes through a ceiling or floor. It attaches securely to the chimney using four screws through integrated brackets. For attic installations, a storm collar (included) must be installed at the top to ensure proper sealing and protection. **For use in Canada only.**

SIZE	6"	7"	8"
ØA O.D.	10 ⁷ / ₁₆ "	11 ⁷ / ₁₆ "	12 ⁷ / ₁₆ "
ØB I.D.	13 ¹ / ₈ "	14 ¹ / ₈ "	15 ¹ / ₈ "
ØC I.D.	8 ¹ / ₈ "	9 ¹ / ₈ "	10 ¹ / ₄ "
ORDER #	6RSC-3	7RSC-3	8RSC-3

Insulation pad included.

Radiation Shield Firestop Connector

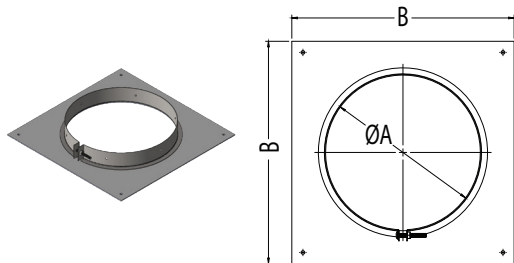


Designed for use in conjunction with a Radiation Shield Connector (RSC-3) below each floor where an enclosed chimney passes through. **For use in Canada only.**

SIZE	6"	7"	8"
A	16"	16"	16"
B	12	13	14
ØC	10 ¹ / ₁₆ "	11 ¹ / ₁₆ "	12 ¹ / ₁₆ "
ORDER #	6RSFC-3	7RSFC-3	8RSFC-3

Radiation Shield Support Connector

Used in conjunction with a Radiation Shield Connector (RSC-3) on floors where the chimney requires additional support, such as after an offset. **For use in Canada only.**



SIZE	6"	7"	8"
ØA O.D	10 ⁷ / ₁₆ "	11 ⁷ / ₁₆ "	12 ⁷ / ₁₆ "
B	15"	16"	17"
ORDER #	6RSSC-3	7RSSC-3	8RSSC-3



BUILD FOR THE FUTURE

Our Portfolio of Brands

AirMate®	www.airmate.com
AmeriFlow®	www.ameriflowregisters.com
Amerivent®	www.ameri-vent.com
AMPCO®	www.ampcostacks.com
Builder's Best®	www.buildersbest.com
Duravent™	www.duravent.com
Hart & Cooley®	www.hartandcooley.com
Heatfab®	www.heatfab.com
Lima®	www.limaregister.com
Milcor®	www.milcorinc.com
Portals Plus™	www.portalsplus.com
RPST™	www.rpscubs.com
Security Chimneys®	www.securitychimneys.com
Selkirk®	www.selkirkcorp.com

Corporate Headquarters

Duravent Group
28 W. Adams, Suite 1810
Detroit, MI 48226
Tel: 800.835.4429
Email: info@duraventgroup.com
www.duraventgroup.com

Contact Us

For more information about our products or to contact us directly, please go to any of our websites and click on the Contact section on the website.



duravent[™]
GROUP

BUILD FOR THE FUTURE

www.duraventgroup.com



For warranty information:
Scan this QR code or visit
www.duraventgroup.com/warranties