

SECURE-TEMP S-2100+

Factory-built 650°C
Chimney 6", 7" & 8" dia.

SUMMARY

OUR PRODUCTS LIVE UP TO OUR NAME / WARNING	2
KEEP YOUR CHIMNEY CLEAN	3
SIZING CHART	3
1 TYPICAL INTERIOR INSTALLATION	4
INSTALLATION INSTRUCTIONS STEPS	5
2 INTERIOR INSTALLATION WITH CATHEDRAL CEILING	6
3 OFFSET INSTALLATION	7-8
4 EXTERIOR INSTALLATION	9-10
FIREPLACE COMPONENTS	11
WARRANTY	

WARNING

A MAJOR CAUSE OF CHIMNEY-RELATED FIRES IS FAILURE TO MAINTAIN REQUIRED CLEARANCES (AIR SPACES) TO COMBUSTIBLE MATERIALS. IT IS OF UTMOST IMPORTANCE THAT THIS CHIMNEY BE INSTALLED ONLY IN ACCORDANCE WITH THESE INSTRUCTIONS.

INSTALLATION

AND

OPERATING

INSTRUCTIONS

Read these instructions and
keep them for future reference

Listed: Warnock Hersey 9651

Standard: ULC S629-M87



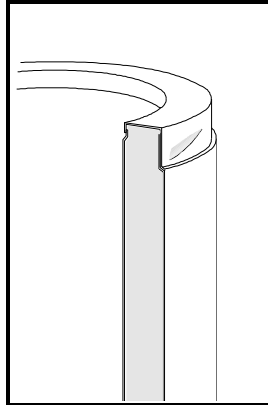
SECURITY CHIMNEYS INTERNATIONAL LTD
2125, Monterey
Laval, Quebec
Canada H7L 3T6

Rev. 11 / November 09
PIS2100+

OUR PRODUCTS LIVE UP TO OUR NAME

CONGRATULATIONS!

You have just purchased one of the safest chimneys in North America. Designed with care using the latest technology, it has been manufactured in accordance with ISO international standards of quality. The chimney is easy to install and all parts of the system are built to fit perfectly with each other. If you are handy, know how to use a few simple tools and have some basic carpentry skills, you can install your S-2100 + chimney yourself over one weekend. Or you can hire a professional to do the job, which will take a few hours.



RECOMMENDATIONS

Clearance

The clearances stated in this guide are minimum requirements: if more space is available, use it. Minimum clearances mean leaving unobstructed air space. Do not fill these spaces with any material whatsoever, especially not insulating material.

INSPECTION

Contact local building or fire officials about restrictions, installation inspection and permit that may be required in your area.

Replacement Parts

If a component of your chimney system is damaged it must be replaced by an identical one from Security Chimneys.

NOT ALL WOOD IS CREATED EQUAL

Some types of wood have greater energy potential than others. Some logs will give you a hot, crackling fire, others will burn longer and more evenly. Choose the type of flame you prefer. The following table shows how different types of wood burn.

Wood Type	Ability To Create Long Lasting Coals	Sparks	Fragrance	Heating Qualities
Black Locust	Excellent	Very Few	Slight	Excellent
Maple	Excellent	Few	Good	Excellent
Oak	Excellent	Few	Fair	Excellent
Hickory	Excellent	Moderate	Slight	Excellent
Beech	Good	Few	Slight	Excellent
Cherry	Excellent	Few	Excellent	Good
Apple	Excellent	Few	Excellent	Good
Elm	Good	Very Few	Fair	Good
Ash	Good	Few	Slight	Good
Birch	Good	Moderate	Slight	Good
Hemlock	Low	Many	Good	Fair
Pine	Poor	Moderate	Good	Fair
Cedar	Poor	Many	Good	Fair

BURNING SMART

How you burn wood in your stove or fireplace directly affects the formation of creosote. Smaller, hotter fires are better than large, smouldering ones. Fast, effective start-ups are important, as is the moisture content of the wood. Ideally, you should use seasoned wood with a moisture content of 20-25%. If your wood is not completely seasoned, use more dry kindling and paper first to warm the chimney to a temperature of at least 300°F. A surface thermometer is an excellent investment. Properly seasoned wood can produce 8,600 BTUs per pound.

WARNING

CREOSOTE FORMATION AND NEED FOR REMOVAL

When wood is burned slowly, it produces tar and other organic vapors, which when combined with expelled moisture form creosote. The creosote vapors condense in the relatively cool chimney flue of a slow-burning fire. As a result, creosote residue accumulates on the flue lining. When ignited this creosote makes an extremely hot fire. ...A creosote deposit just 1/8" (3 mm) thick is enough to cause a chimney fire.

COAL

Some coals contain large quantities of sulphur (up to 7%). When coal is burned, sulphur and coal ashes are deposited in the chimney flue. This deposit combines with moisture to form a highly corrosive acid (sulphuric acid). In order to protect your chimney, we recommend that you:

1. Burn only low sulphur coals (less than 1% sulphur).
2. Have your chimney cleaned within 48 hours of shutting down your stove at the end of the heating season. Be certain that all the soot is removed. Wipe the chimney flue using a strong solution of baking soda and water. This can be done by wrapping a rag around a chimney cleaning brush, dipping it into the baking soda-water solution then passing it through the chimney three or four times.

WOOD AND COAL STOVES

If you are planning to install a wood stove, we recommend that you:

1. Choose a stove that bears the label of a testing laboratory (such as ULC, CSA, WH, UL or ICBO).
2. Choose the right size stove. Do not buy one larger than you need.
3. Connect only one appliance to a chimney.
4. Never overfire your stove. If any part of the stove or stove pipe is glowing red, then you are overfiring. Immediately close the stove's dampers until the system cools. The high temperature caused by overfiring can permanently damage the stove and stove pipe and may overheat nearby combustible walls and furniture.
5. Install the stove and stove pipe as described in the installation instructions accompanying the stove. Be certain to maintain the required clearances to combustible construction.
6. Keep your flue gases between 300°F and 500°F. This will maximize efficiency while minimizing condensation and creosote formation. Do not fill your stove with wood and allow it to smoulder for 8 to 10 hours. This condition produces large amounts of creosote in the chimney.
7. Do not burn sea driftwood or treated wood. These combustibles are highly corrosive to all types of stainless steel.

KEEP YOUR CHIMNEY CLEAN

CHIMNEY-OPERATION AND MAINTENANCE.

Wood stoves can quickly create large deposits of creosote in the chimney. Some wood stoves can create enough creosote in two weeks to cause a chimney fire. When using a wood stove, we recommend that you:

1. Initially inspect the chimney system weekly. From this you will learn how often it will be necessary to clean your chimney.
2. The chimney should be inspected at least once every 2 months during the heating season to determine if a creosote or soot build-up has occurred: if creosote or soot has accumulated, it should be removed to reduce the risk of chimney fire.
3. Have your chimney cleaned by a qualified chimney sweep. If you want to clean your chimney yourself: clean your chimney using plastic, wood or stainless steel brushes. Do not use a brush that will scratch the stainless steel interior of your chimney.
4. Do not expect chemical chimney cleaners to keep your chimney clean. Their use does not negate the necessity of periodically inspecting and cleaning your chimney.

CHIMNEY FIRES

If you are having a chimney fire, follow these steps:

1. Close all heater doors and combustion air controls. For fireplaces, block the fireplace opening with a non-combustible material (such as an asbestos or steel sheet).
2. Alert your family of the possible danger.
3. If you require assistance, alert your fire department.
4. If possible, use a dry chemical fire extinguisher, baking soda or sand to control the fire. Do not use water as it may cause a dangerous steam explosion.
5. Watch for smouldering or fire on combustibles next to the stove, stove pipe and chimney. Check outside to ensure that sparks and hot embers coming out of the chimney are not igniting the roof.
6. Do not use the stove again until your chimney and stove pipe have been inspected by a qualified chimney sweep or fire department inspector.

The S-2100 + chimney has been designed to withstand the intense heat of a chimney fire. Nevertheless chimney fires are dangerous and should be prevented.

BEFORE HIRING A CHIMNEY SWEEP

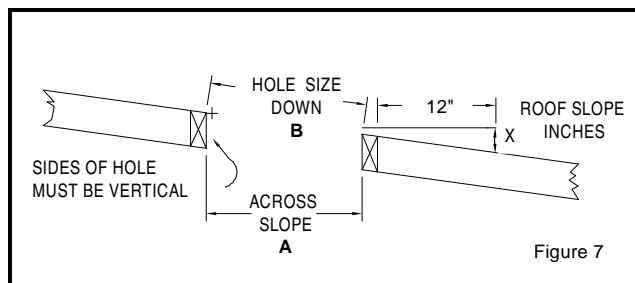
1. Does the company or individual have adequate liability insurance in case of damage?
2. How long has the company been in business?
3. Does the company offer current references?
4. Is the company involved in any unresolved disputes?

LOADBEARING CHART

CHIMNEY SIZE	6"	7"	8"
OUTSIDE DIAMETER	10"	11"	12"
HOLE DIMENSION REQUIRED			
Cathedral support (XSCC)	14 3/8"	14 3/8"	14 3/8"
Square support (XSSC)	14 3/8"	14 3/8"	14 3/8"
Finish support (XSFC)	14 3/8"	14 3/8"	14 3/8"
Firestop (XBF+)	14"	15"	16"
Radiation shield (XRSM+)	14"	15"	16"
MAX. LENGTH HEIGHT SUPPORTED **			
Wall support (XSM) & (XSME)	30'	28'	26'
Roof support (XST+)	20'	18'	16'
Cathedral support (XSCC)	30'	28'	26'
Square support (XSSC)	30'	28'	26'
Finish support (XSFC)	30'	28'	26'
Offset support (XSO+)	18'	16'	14'
Insulated tee * (XTI+)	30'	28'	26'

* When installed on a concrete floor.

** NOTE: if greater height is required, use additional roof supports or adjustable wall supports at intervals not exceeding 20'.



CHIMNEY SIZE	6"		7"		8"	
ROOF SLOPE (X/12)	HOLE SIZE					
	A	B	A	B	A	B
0	14	14	15	15	16	16
2/12	14	14 1/4	15	15 1/4	16	16 1/4
4/12	14	14 7/8	15	15 7/8	16	16 7/8
6/12	14	15 3/4	15	16 3/4	16	17 7/8
8/12	14	16 7/8	15	18 1/8	16	19 1/4
10/12	14	18 1/4	15	19 9/16	16	20 7/8
12/12	14	19 7/8	15	21 1/4	16	22 5/8

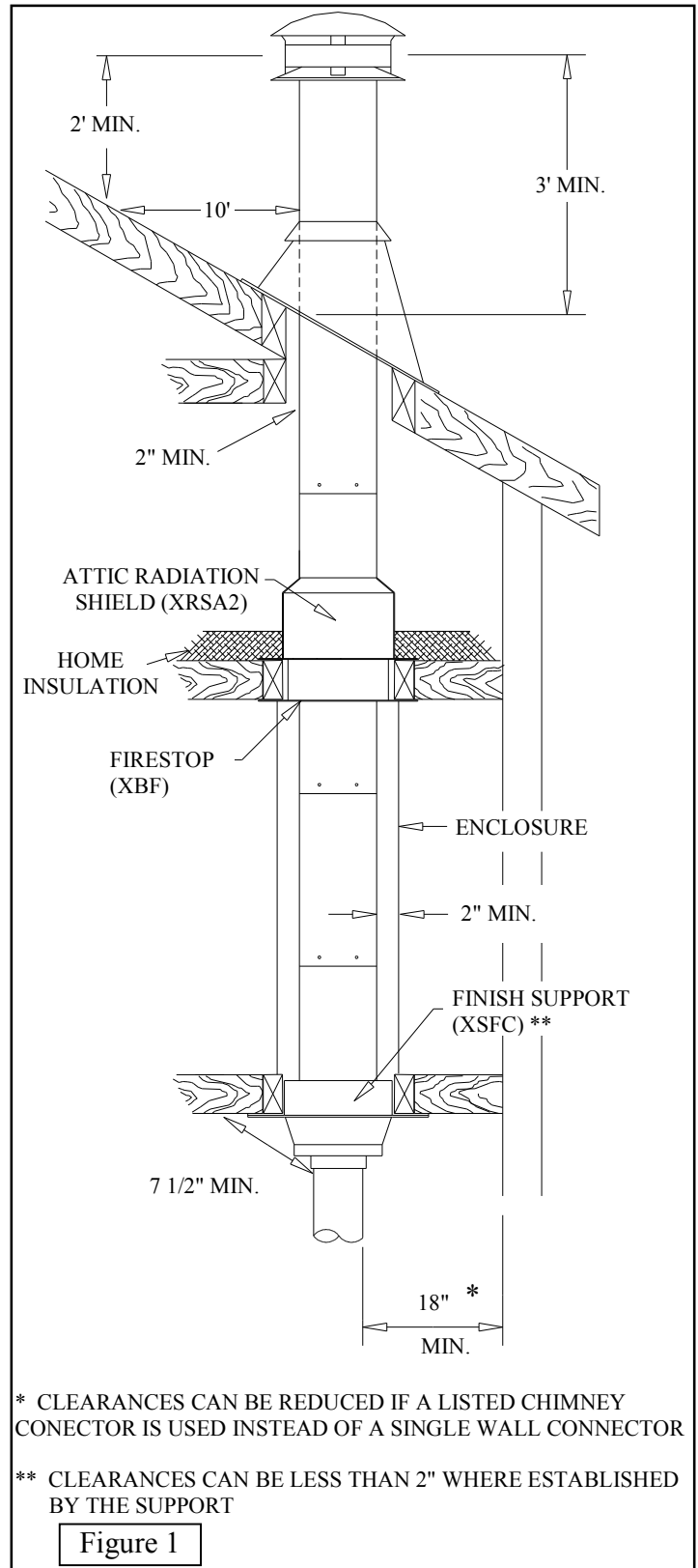
1 GENERAL INSTALLATION NOTES

INSTALLATION NOTES

- The chimney is intended for use with solid, liquid and gaseous fuel burning appliances.
Allowable flue gas temperature:
Maximum continuous 650°C (1200°F)
Brief forced firing 760°C (1400°F)
Tested to 1150°C (2100°F) - 30 minutes
- The maximum height of chimney supported by the various Security support is outlined on page 3.
- The supports described in this booklet should only be used with Security Chimneys' model S-2100+, 6", 7" and 8" factory built chimneys.
- Size the chimney in accordance with the appliance manufacturer's instructions.
- When a firestop (BF+ or XRSA2) need to be installed, it is important to follow the cutting dimensions for the floor openings prescribed in this manual. This way, the holes left by the folded positioning tab of the firestop will be blocked by the ceiling.
- A chimney servicing a fireplace or an incinerator should not service any other appliance.
- The chimney shall extend at least 3 ft above its point of contact with the roof and at least 2 ft higher than any wall, roof or adjacent building within 10 ft of it.
- The maximum height of unguided chimney above the roof is 5 ft.
- The clearance between single wall stove pipe and unprotected combustible material must not be less than 18" (see National Building Code) except: The distance between the vertical stove pipe and the ceiling may be less than 18" and will be established by the finish support.
- Portions of the chimney which may extend through accessible spaces shall be enclosed in all cases to avoid personal contact with the chimney and damage to the chimney. Except for installation in single and two family dwellings, the enclosure must have a fire resistance rating equal to or greater than that of the floor or roof assemblies through which they pass.
- Do not fill the 2" space around the chimney with insulation or any other material.
Insulation placed in this area could cause adjacent combustibles to overheat.
- Self tapping screws are not required, but may be used to reinforce the connection and avoid accidental unlocking of chimney lengths.

WARNING

The clearance between the chimney and combustible material must not be less than 2", except where established by the support. Do not fill this area with insulation.



1

INSTALLATION INSTRUCTION STEPS

- 1** Locate the chimney in a convenient place as near as possible to the appliance outlet.

Cut and frame the holes in the floor, ceiling and roof where the chimney will pass.

Note: It is important to follow the cutting dimensions for the floor openings prescribed in this manual. This way, the holes left by the folded positioning tab of the firestop will be blocked by the ceiling.

TABLE 1

CHIMNEY SIZE	HOLE SIZE	
	FINISH SUPPORT (XSFC)	RADIATION SHIELD* & ROOF
6"	14 3/8" x 14 3/8"	14" x 14"
7"	14 3/8" x 14 3/8"	15" x 15"
8"	14 3/8" x 14 3/8"	16" x 16"

* For sloping roof see size chart on page 3

- 2** From below push the support into the framed hole. Nail the support to the framed box using 12 - 3" spiral nails (see Fig. 2)

- 3** Put that first chimney length in the support. Twist it clockwise to lock it in place.

Install the white insulation supplied around the first chimney length at the bottom of the support.

Note: the visible male coupling must be on top.

- 4** From below, install a firestop (XBF+) in each floor through which the chimney passes. At the attic level, install a firestop plate (XBF+) from below; from above install an attic radiation shield (XRSA2) (See Fig.5).

Note: the home insulation may be in contact with the attic radiation shield.

- 5** Stack the next chimney length on the first length. Be sure that the male and female threads are not in line when putting the lengths together. Turn the chimney clockwise to lock it in place. A stainless steel self tapping 1/2in screw may be added to secure the lock.

- 6** Continue until the required chimney height is reached.

ROOF FLASHING INSTALLATION

- 7** Put the roof flashing in place. Seal the joint between the roof and the flashing with roofing pitch.

For sloping roofs, place the flashing under the upper shingles and on top of the lower shingles.

Nail the flashing to the roof using roofing nails.

- 8** Place the storm collar over the chimney and the flashing. Tighten it with the bolt supplied making sure the joint is properly caulked (see Fig. 6)

- 9** Fit the rain cap to the top of the chimney. Turn it clockwise to lock it in place. The rain cap may be removed for inspection or cleaning of the chimney. Using gloves firmly grip the lower portion of the rain cap and turn counter clockwise.

Wash the roof flashing with a solvent or vinegar, then paint it with rust proof paint.

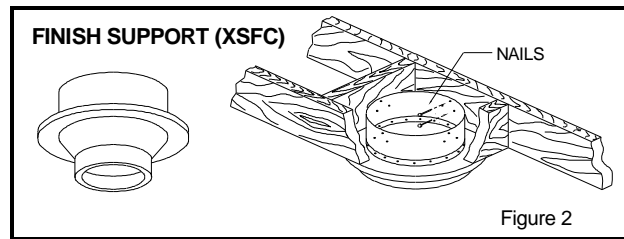


Figure 2

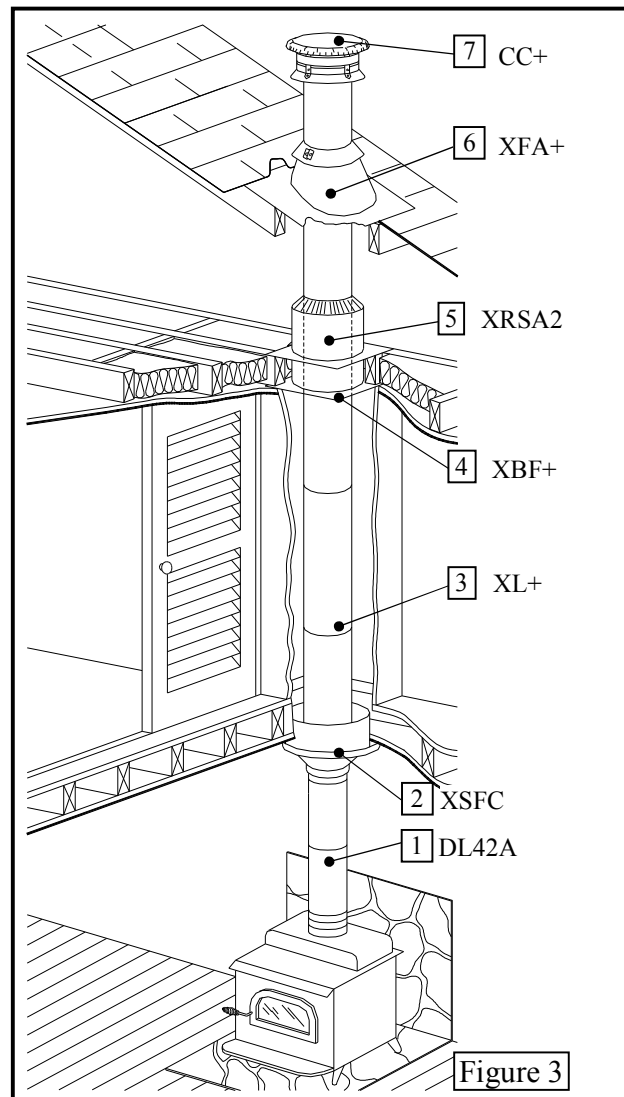


Figure 3

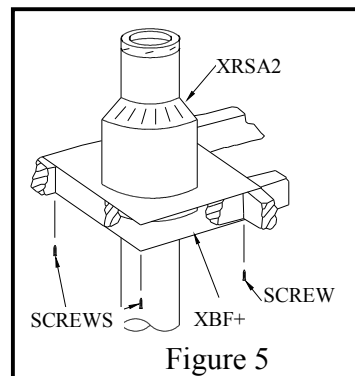


Figure 5

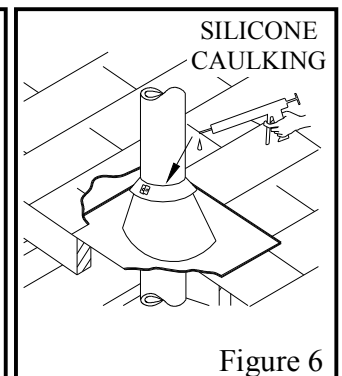


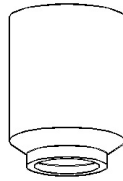
Figure 6

2

INTERIOR INSTALLATION WITH CATHEDRAL CEILING

A - CATHEDRAL SUPPORT (XSCC)

This support is designed to be used in rooms with cathedral ceilings (no attic space between the ceiling and the roof). If the support is used as a regular floor support, follow the instructions on page 5 (refer to fig.8 for visual reference)



- 1 Situate the chimney in a convenient location as near as possible to the appliance outlet. Cut and frame a hole in the roof for the support. The sides of this hole must be vertical (Fig. 7) (see chart on page 3)

- 2 From above, place the support in the opening. Lower it to a convenient height.

Note: The cone portion of the support must extend below the ceiling. The minimum horizontal distance between the single wall stove pipe and the ceiling is 18". It can be reduced if a listed stove pipe is used.

Using a level, make sure the support is vertical. If the support extends above the roof, cut it flush with the top of the roof. Nail the support to the framed opening using 12-3" spiral nails.

TO CONTINUE SEE PREVIOUS STEP ... **3** ON PAGE 5

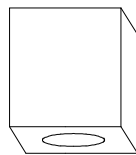
B - SQUARE SUPPORT (XSSC)

This support is similar in application and installation as the cathedral support (XCS). Install it using the instructions on page 5 (refer to Fig. 9 for visual references).

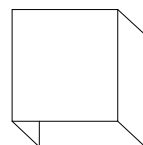
SUPPORT EXTENSION (PS)

Steep pitched cathedral ceilings may require the use of a square support extension (PS). This piece fits down inside the square support and can be adjusted to increase the support's length by up to 16".

The extension is attached to the support using the eight (8) metal screws provided. Be sure there is at least a 2" overlap where the extension joins the support (see Fig. 10).



XSSC



PS

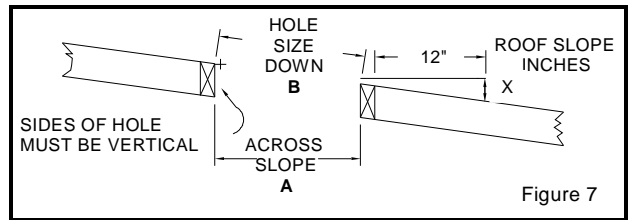
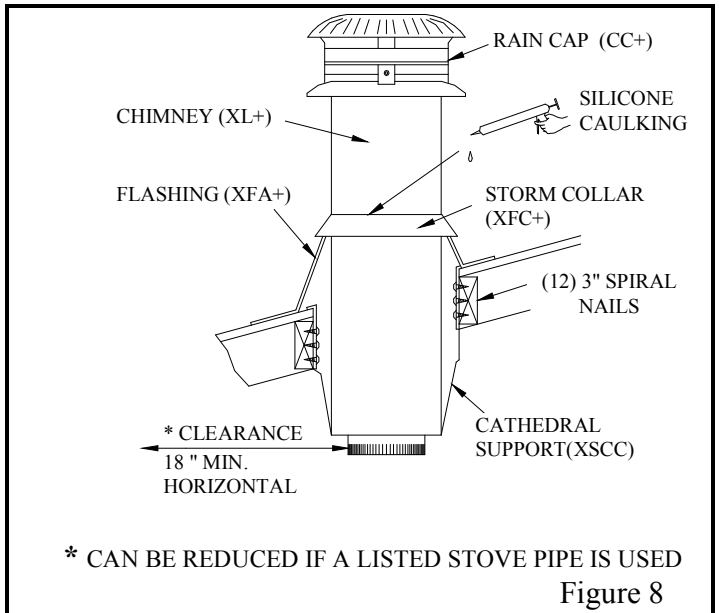


Figure 7



* CAN BE REDUCED IF A LISTED STOVE PIPE IS USED

Figure 8

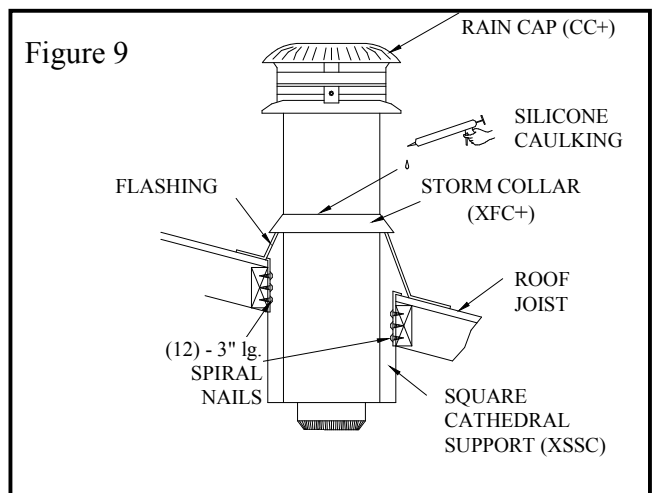


Figure 9

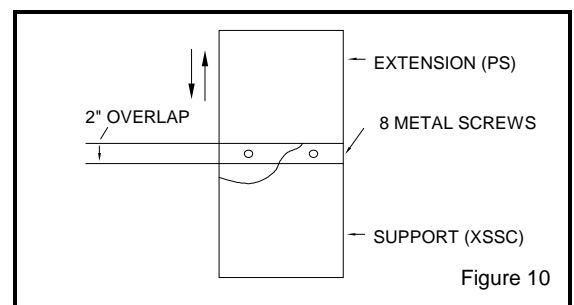


Figure 10

3

OFFSET INSTALLATION

OFFSET CHIMNEY

If it is necessary to offset the chimney in order for it to pass through an upstairs cupboard or to clear a joist, do this by using 15°, 30° or 45° insulated elbows. A maximum of two offsets (4 elbows in all) is allowed in a chimney.

The maximum length of unsupported offset chimney is 6'. If the offset chimney is longer than 6', then it must be supported at 6' intervals using an offset support (XSO+) or wall band (XBM+).

INSTALLATION INSTRUCTIONS

Install the required support and the chimney as described in the support's installation instructions. When you reach the height at which the elbow will be installed, proceed as follows :

- 1 Install the insulated offset elbow on the vertical chimney length. Turn it in the required direction and fasten it to the chimney with the (4)-½" metal screws provided.
- 2 Place the required offset chimney length (see chart) on the elbow. Turn it clockwise to lock it in place.
- 3 Use another elbow to turn the chimney vertically. Again secure the elbow to the chimney length using the (4)-½" metal screws.
- 4 Install the remaining chimney as described in the instructions for the roof support (page 8).

INSTALLATION CALCULATIONS

Determine the offset required in view of the obstacles that must be avoided. Refer to the chart to determine the elbows required as well as the insulated length needed.

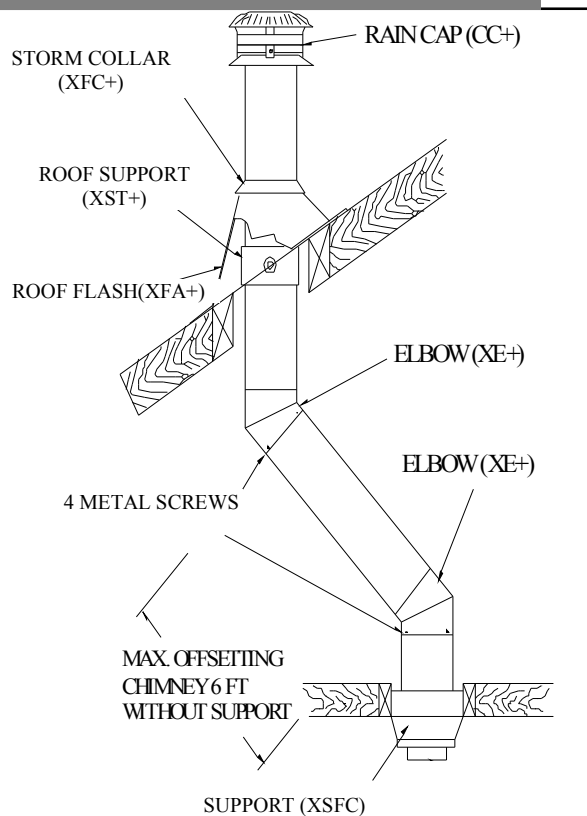


Figure 11

WARNING

A support must always be installed above each offset (two elbows) to support the chimney above the offset.

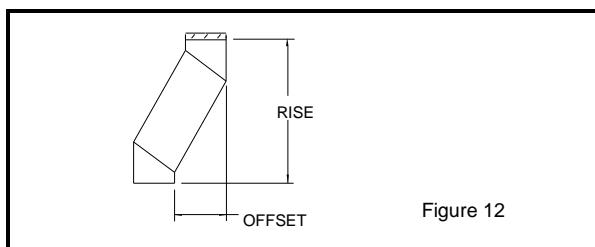


Figure 12

OFFSET & RISE CHART MODEL S-2100 + (6", 7" & 8")

ANGLE	DIA.	INCHES	ONE LENGTH BETWEEN ELBOWS						TWO LENGTHS BETWEEN ELBOWS					
			8	12	18	24	36	48	8 & 48	12 & 48	18 & 48	24 & 48	36 & 48	48 & 48
15°	6" @ 8"	Offset	3 5/16	4 5/16	5 7/8	7 7/16	10 1/2	13 5/8	15 1/2	16 1/2	18 1/16	19 5/8	22 3/4	25 13/16
		Rise	16	19 7/8	25 11/16	31 1/2	43 1/16	54 5/8	61 7/16	65 1/4	71 1/16	76 7/8	88 1/2	100 1/16
30°	6" @ 8"	Offset	7 3/8	9 3/8	12 3/8	15 3/8	21 3/8	27 3/8	30 7/8	32 7/8	35 7/8	38 7/8	44 7/8	50 7/8
		Rise	20 11/16	24 3/16	29 3/8	34 9/16	44 15/16	55 5/16	61 3/8	64 7/8	70 1/16	75 1/4	85 5/8	96
45°	6" @ 8"	Offset	10 11/16	13 1/2	17 3/4	22	30 7/16	38 15/16	44 5/8	47 7/16	51 11/16	55 15/16	64 3/8	72 7/8
		Rise	18 7/16	21 1/4	25 1/2	29 3/4	38 1/4	46 3/4	52 3/8	55 1/4	59 7/16	63 11/16	72 3/16	80 11/16

3

OFFSET INSTALLATION (CONT'D)

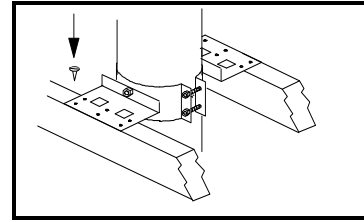
ROOF SUPPORT (XST+)

The roof support has three possible uses:

It may be used to support a chimney from the roof. It adjusts to any roof pitch.

It may be used on a floor, ceiling or roof above an offset to support the chimney above the offset.

It may be used on a floor, ceiling or roof as a supplementary support when the chimney height exceeds that of the primary support.



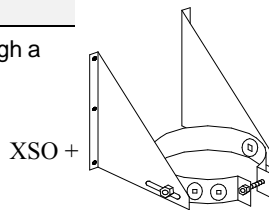
INSTALLATION INSTRUCTIONS

With the chimney extending through the hole in the roof, ceiling or floor, proceed as follows:

- 1** Assemble the support collar to fit your chimney diameter as described on the instruction sheet supplied with the support.
- 2** Slip the support down over the stainless steel chimney until its brackets rest on the roof or floor. Tighten the collar around the chimney, then secure it by screwing the four (4) 1/2" metal screws (supplied) through the holes located on each side of the collar bolts.
- 3** Center the chimney and nail or screw the support to the roof or floor using (8) 2 1/2" nails or (8) N#8 - 1 1/4" wood screws.
- 4** Install the remaining chimney lengths, until the required chimney height is reached.

OFFSET SUPPORT (XSO +)

When a chimney offset is used to pass through a wall, this support may be used on the wall to support the chimney. The height of chimney supported is shown in page 3.



INSTALLATION INSTRUCTIONS

Install the chimney according to the fireplace installation instructions. Install the support as follows (refer to fig.14 for visual references):

- 1** Assemble the support collar to fit your chimney diameter as described on the instruction sheet supplied with the support.
- 2** Slip the support down over the chimney to a convenient location. Be sure that the support attaches to a solid wall and not merely to dry wall or aluminium siding.
- 3** Tighten the collar around the chimney, then secure it by screwing four 1/2" metal screws (supplied) through the holes located on each side of the collar bolts and into the chimney.
- 4** Attach the support brackets to the wall using (8) 3" nail or (8) N#10 x 1 1/4" wood screws.
- 5** Continue installing the chimney according to the fireplace installation instructions.

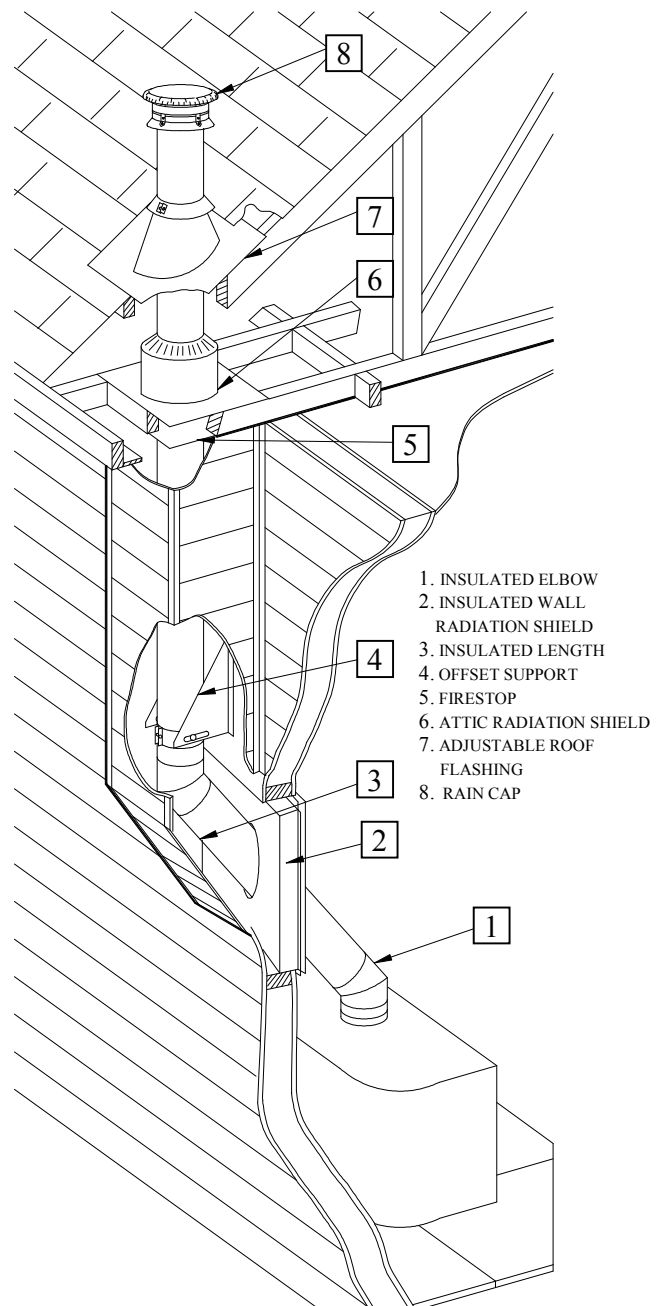


Figure 14

4

EXTERIOR INSTALLATION

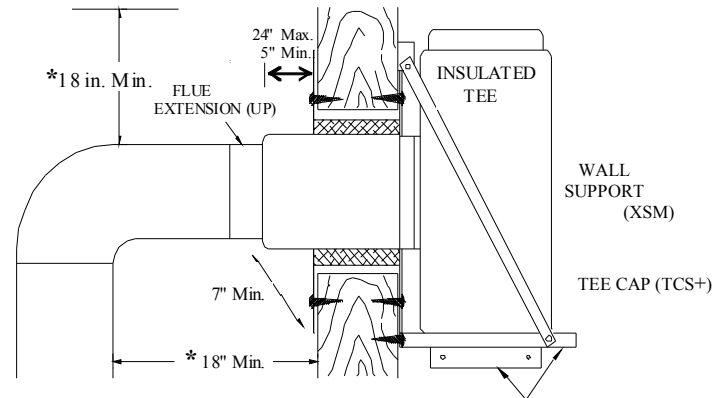
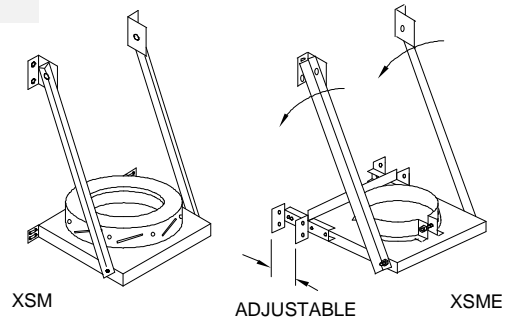
WALL SUPPORT (XSM OR XSME)

Two wall supports are available, an adjustable (XSME) and a non-adjustable (XSM).

INSTALLATION NOTES

If possible, install an interior chimney as it will provide better performance than an exterior chimney. In areas with continuous temperatures below -18°C (0°F) the use of an exterior chimney may result in operating problems such as poor draft, excessive condensation of combustion products and rapid accumulation of creosote when connected to a wood burning appliance. If you do install an exterior chimney, we recommend that you enclose it using an insulated enclosure.

1. The chimney may be enclosed or unenclosed. Maintain 2" clearance to combustible materials. Do not fill the 2" space around the chimney with insulation or any other material.
2. A wall band must be used to secure the chimney to the wall. Maximum distance between wall bands is 8 feet.
3. **The adjustable support (XSME) may only be installed in conjunction with an insulated tee cap (XTCI).**
4. The adjustable support (XSME) can be installed either below or above the insulated tee.
5. The minimum length of chimney extending past the inside wall is 5 inches.
6. The maximum length of chimney extending past the inside wall is 24 inches.
7. The distance between the stove pipe and a parallel combustible wall or ceiling must not be less than 18". The distance between the horizontal stove pipe and the unshielded vertical wall through which it passes must not be less than 7 inches.
8. If an exterior installation is to be enclosed (see Fig. 18), allow for access to base of tee to facilitate required cleaning.
9. **The minimum distance between the bottom of the support and any horizontal combustible (including the ground) is 6". This distance can be reduced to 2 inches by using an insulated tee cap in conjunction with a XSME adjustable wall support.**



WALL SUPPORT (XSM OR XSMA) AND INSULATED TEE CAP (TCS)
OR
ADJUSTABLE WALL SUPPORT (XSME) AND INSULATED TWIST-LOCK TEE CAP (XTCI)

* THE DISTANCE CAN BE REDUCED IF A LISTED STOVE PIPE IS USED

INSTALLATION INSTRUCTIONS STEPS

1

- Determine where the chimney will pass through the wall.
- For concrete wall, cut a hole slightly larger than the chimney.
 - For combustible wall, cut and frame a hole 4" larger than the chimney, midway between the wall studs (see Fig. 19).

Normally, wall studs are placed at 16" centers. With the hole midway between them, the support will fasten to these studs and thus ensure a strong attachment to the wall.

CHIMNEY SIZE	HOLE SIZE	
	COMBUSTIBLE	CONCRETE
6"	14" x 14"	10 1/4
7"	15" x 15"	11 1/4
8"	16" x 16"	12 1/4

Table 5

2

Wood wall: from outside, put the wall-radiation shield in the hole. Use the smaller shield. Nail the radiation shield in place using (4) 2" nails.

4

EXTERIOR INSTALLATION (CONT'D)

From inside, put the larger wall-radiation shield over the small radiation shield. Using a level, make sure that the hole for the chimney to pass through is horizontal. Screw the radiation shield in place (see Fig. 20).

Note: The cavity surrounding the radiation shield must be filled with type R-20 insulation (see Fig. 20).

3 Attach the clean-out cap to the support's flue extension using the three (3) metal screws provided. Make sure that the screws have pierced through the flue extension. The cap is in the box with the insulated tee. Or if an insulated tee cap is used, twist lock the tee cap to the tee (adjustable support (XSME) only).

4 The minimum length of insulated chimney required to pass through the wall will be thickness plus 7". The insulated chimney must extend at least 5" into the room beyond the finished wall. Insert this chimney length in the side entry of the insulated tee. Turn it clockwise to lock it in place. Seal this joint by wrapping it with the aluminium tape supplied with the tee.

Mount the insulated tee on the support so that the chimney length which will go through the wall is perpendicular to the side of the support that will fasten to the wall.

5 This step will require 2 persons: Insert the chimney length of this tee-support assembly into the hole in the wall. Using a level, ensure the tee is vertical, then attach the support to the wall using (8) N^o. 10 x 1 - 1/4" wood screws or 4" spiral nails (see Fig. 21).

NOTE: To provide sufficient strength, the nails must be driven into the wall studs. For concrete walls, the support should be attached using (8) 1/4" x 2" lag bolts.

6 Attach the flue extension to the horizontal chimney length using the three (3) metal screws provided.

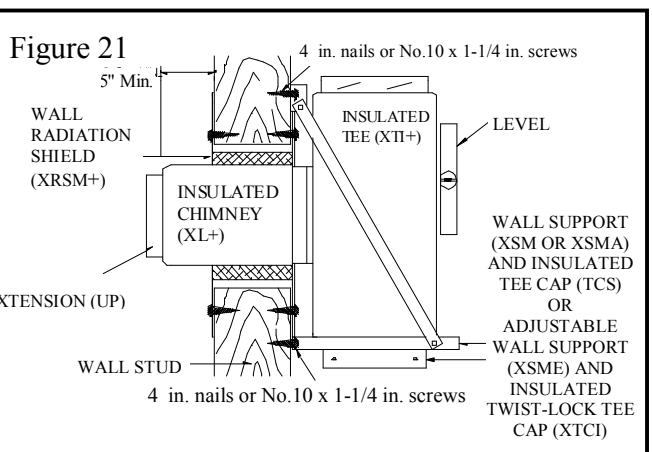
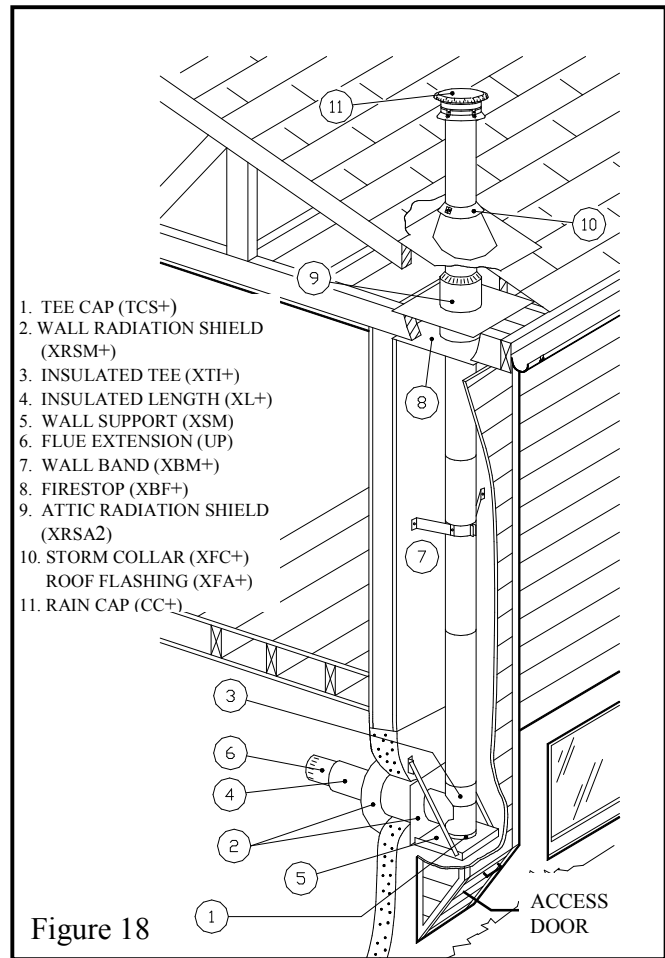
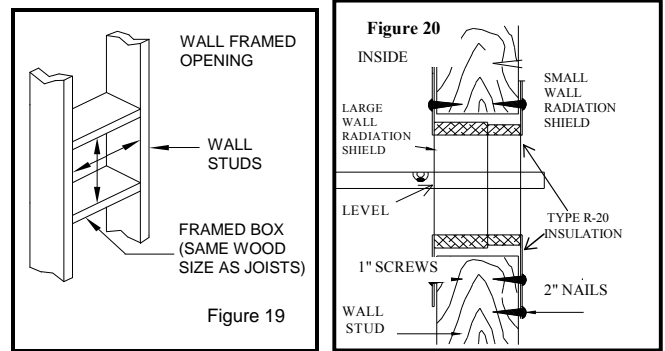
7 If the chimney passes through the roof, cut a hole large enough to provide 2" clearance between the chimney and the roof. For flat roof, and for sloping roofs, see chart on page 3.

8 Stack a chimney length on top of the tee. Turn it clockwise to lock it in place.

9 Stack the next chimney length on the first length. Continue until the required chimney height is reached.

To continue, SEE ROOF FLASHING INSTALLATION, ON page 5. STEP

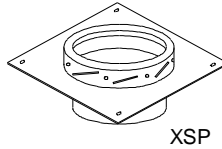
8



FIREPLACE COMPONENTS

FIREPLACE ADAPTOR (XSP)

This support is only used on a masonry fireplace or on a factory-built fireplace to provide a positive connection to the chimney. It is not to be used in contact with any combustible material, such as on a wood floor.



XSP

INSTALLATION INSTRUCTIONS

Once the fireplace is installed, bolt the fireplace adaptor to the fireplace. Install the chimney according to the interior installation instructions on page 5. Omit steps 1 to 4.

FACTORY-BUILT FIREPLACES

For chimneys installed on factory-built fireplaces, follow the installation instructions accompanying the fireplace.

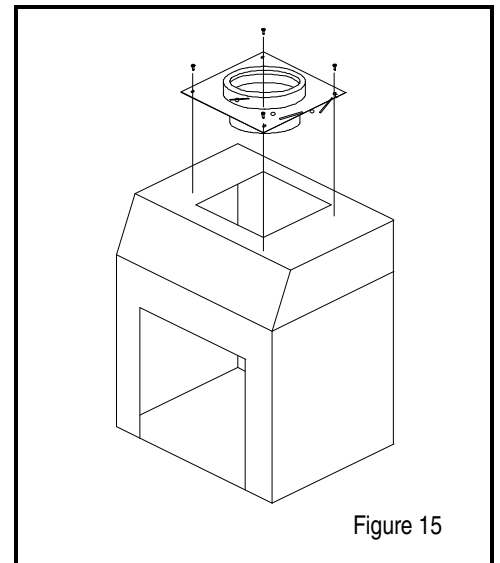


Figure 15

FIREPLACE INSULATED RADIATION SHIELDS

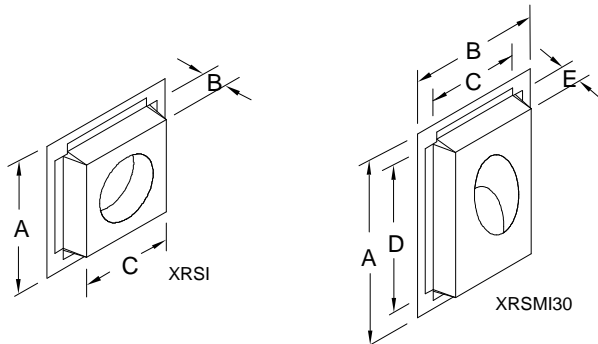
These are used only with wood-burning fireplaces in Security Chimneys fireplace line and wood-burning fireplaces which have been certified for use with the S-2100 +.

INSULATED RADIATION SHIELD (XRSI)

It must be used in combination with an attic radiation shield (XRSA2) when passing through an attic. This component provides a 2" safety clearance to combustible materials surrounding the chimney.

ANGLED INSULATED RADIATION SHIELD (XRSMI30)

It has been designed for use when a chimney passes through a wall at an angle.



Ø INT.	FRAMING SIZE			
	XRSI		XRSMI30	
	7"	8"	7"	8"
A	18	18	41 1/4	43 5/16
B	3	3	18 3/8	19 3/8
C	14	14	36 3/4	38 13/16
D	--	--	13 7/8	14 7/8
E	--	--	3	3

SECURITY CHIMNEYS INTERNATIONAL, LTD. RESIDENTIAL CHIMNEY & VENTING PRODUCT LIMITED LIFETIME WARRANTY

THE WARRANTY

This Security Chimneys International, Ltd. (SCIL) Limited Lifetime Warranty warrants your residential vent and/or chimney system to be free from defects in material and workmanship at the time of manufacture. This Limited Lifetime Warranty includes all components and fittings, except termination caps. After installation, if covered components manufactured by SCIL are found to be defective in materials or workmanship during the Limited Lifetime Warranty period and while the Product remains at the site of the original installation, SCIL will, at its option, replace the covered components. SCIL reserves the right to replace covered components with an equivalent product and the replacement must be carried out in accordance with SCIL's recommendations. If replacement is not commercially practical, SCIL will, at its option, refund the purchase price or wholesale price of the SCIL product, whichever is applicable. Labor to replace SCIL components is not included. THERE ARE EXCLUSIONS AND LIMITATIONS to this Limited Lifetime Warranty as described herein.

COVERAGE COMMENCEMENT DATE

Warranty coverage begins on the date of installation. In the case of new home construction, warranty coverage begins on the date of first occupancy of the dwelling or six months after the sale of the Product by an independent SCIL dealer/distributor, whichever occurs earlier. The warranty shall commence no later than 24 months following the date of product shipment from SCIL, regardless of the installation or occupancy date.

EXCLUSIONS AND LIMITATIONS

This Limited Lifetime Warranty applies only if the Product is installed in the United States or Canada and only if used for the application for which it was designed and intended. The Product must be maintained in accordance with the printed instructions accompanying the Product and in compliance with all applicable installation and building codes and good trade practices.

This warranty is non-transferable and extends to the original owner only. The Product must be purchased through a listed supplier of SCIL and proof of purchase must be provided. SCIL will be responsible for the replacement of the residential vent and/or chimney system considered to be defective for the following periods:

Termination Caps – Replacement at no charge for 5 years from the date of installation, excluding labor

Components and fittings (excludes termination caps and labor) –

Year 1-10 – Replacement of all components and fittings.

Year 11-15 – Replacement at 75% off of the prevailing list price in effect at the time of replacement (25% of the retail list price paid by the consumer).

Year 16 + – Replacement at 50% off of the prevailing list price in effect at the time of replacement (50% of the retail list price paid by the consumer).

SCIL will not be responsible for: (a) damages caused by normal wear and tear, corrosion from salt air, accident, riot, fire, flood or acts of God; (b) damages caused by abuse, negligence, misuse, or unauthorized alteration or repair of the Product affecting its stability or performance. (The Product must be subject to normal use with approved fuels listed in the Operation Manual provided with the product. Where applicable, fuel products with abnormal burning characteristics, including but not limited to fuel such as driftwood, plywood and wood products using a binder may burn at excessive temperatures and may cause damage to the Product or may cause it to function improperly; (c) damages caused by failing to provide proper maintenance and service in accordance with the instructions provided with the Product; (d) damages, repairs or inefficiency resulting from faulty installation or application of the Product.

This Limited Lifetime Warranty covers only parts as provided herein. SCIL's entire liability is limited to the purchase price of this product. In no case shall SCIL be responsible for materials, components or construction which are not manufactured or supplied by SCIL or for the labor necessary to install, repair or remove such materials, components or construction. Additional utility bills incurred due to any malfunction or defect in equipment are not covered by this Limited Lifetime Warranty. All replacement or repair components will be shipped F.O.B. from the nearest stocking SCIL factory.

LIMITATION ON LIABILITY

It is expressly agreed and understood that SCIL's sole obligation and the purchaser's exclusive remedy under this warranty, under any other warranty, expressed or implied, or in contract, tort or otherwise, shall be limited to replacement, repair, or refund, as specified herein.

In no event shall SCIL be liable for any incidental or consequential damages caused by defects in the Product, whether such damage occurs or is discovered before or after replacement or repair, and whether such damage is caused by SCIL's negligence. SCIL has not made and does not make any representation or warranty of fitness for a particular use or purpose, and there is no implied condition of fitness for a particular use or purpose.

SCIL makes no expressed warranties except as stated in this Limited Lifetime Warranty. The duration of any implied warranty is limited to the duration of this expressed warranty.

No one is authorized to change this Limited Lifetime Warranty or to create for SCIL any other obligation or liability in connection with the Product. Some states and provinces do not allow the exclusion or limitation of incidental or consequential damages, so the above limitations or exclusions may not apply to you. The provisions of this Limited Lifetime Warranty are in addition to and not a modification of or subtraction from any statutory warranties and other rights and remedies provided by law.

INVESTIGATION OF CLAIMS AGAINST WARRANTY

SCIL reserves the right to investigate any and all claims against this Limited Lifetime Warranty and to decide, in its sole discretion, upon the method of settlement. To receive the benefits and advantages described in this Limited Lifetime Warranty, the appliance must be installed and repaired by a licensed contractor approved by SCIL. Contact SCIL at the address provided herein to obtain a listing of approved dealers/distributors. **SCIL shall in no event be responsible for any warranty work done by a contractor that is not approved without first obtaining SCIL's prior written consent.**

HOW TO REGISTER A CLAIM AGAINST WARRANTY

In order for any claim under this warranty to be valid, you must contact the SCIL dealer/distributor from which you purchased the product. If you cannot locate the dealer/distributor, then you must notify SCIL in writing. SCIL must be notified of the claimed defect in writing within 90 days of the date of failure. Notices should be directed to the SCIL Warranty Department at 2125 Monterey Street, Laval, QC H7L 3T6.