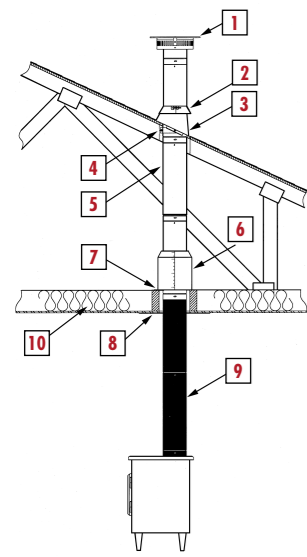
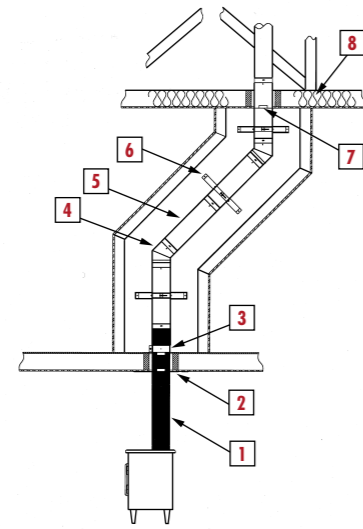


Typical Installations



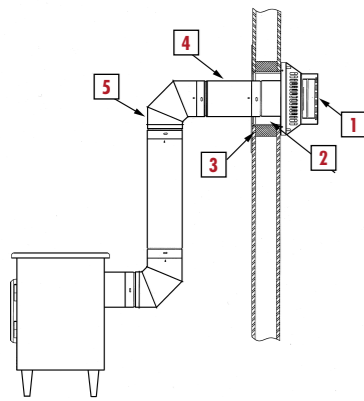
Vertical Installation

1. Vertical Termination Cap
2. Storm Collar
3. Flashing
4. Roof Support
5. Length
6. Attic Radiation Shield
7. Firestop
8. Decorative Black Plate
9. Length (Black)
10. Insulation Cellulose



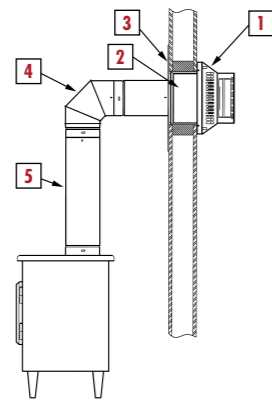
Vertical Installation (2 floors or more)

1. Length (Black)
2. Decorative Black Plate
3. Floor Support
4. 45° Elbow
5. Length
6. Adjustable Wall Band
7. Firestop
8. Insulation Cellulose



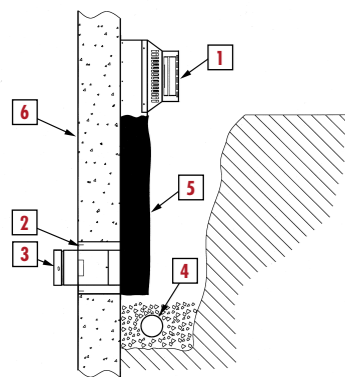
Horizontal Installation

1. Horizontal Termination Cap
2. Wall Radiation Shield
3. Decorative Black Plate
4. Length (Black)
5. 90° Elbow (Black)



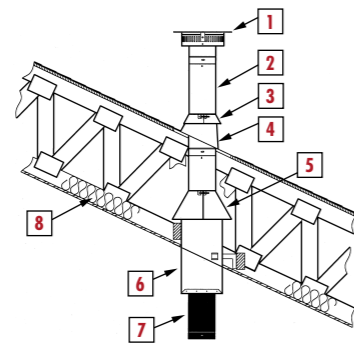
Horizontal Installation

1. Horizontal Termination Cap
2. Wall Radiation Shield
3. Decorative Black Plate
4. 90° Elbow (Black)
5. Length (Black)



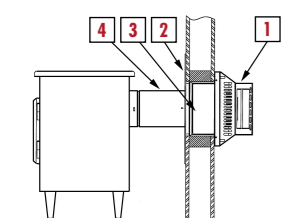
Horizontal Installation

1. Snorkel Termination Cap
2. Firestop
3. Length
4. Drain
5. Tar
6. Concrete



Vertical Installation

1. Vertical Termination Cap
2. Length
3. Storm Collar
4. Flashing
5. Collar for Decorative Square Cathedral Support
6. Adjustable Decorative Square Cathedral Support
7. Length (Black)
8. Insulation Cellulose



Horizontal Installation

1. Horizontal Termination Cap
2. Decorative Black Plate
3. Wall Radiation Shield
4. Length (Black)

Security Chimneys International's dedication to engineering excellence has led to the development of a wide range of quality venting products as well as wood and gas burning fireplaces over the past 40 years.



SL-VENT (oil and gas vent)

- For use with oil or gas fired appliances.
- Listed to ULC-609 and UL-641.
- Available in 5", 6", 7" and 8" I. D.

CI

- For residential, commercial and industrial applications on boilers using gas or liquid fuel with negative or positive pressure, and on high-pressure appliances with condensation depending on specifications and intended use
- Certified to ULC-S604, UL-103 "Residential" (12" to 18") UL-103 "Industrial" (5" to 24") and UL103HT (12" to 24")
- Available in diameters of 5" to 24"

GAS VENT TYPE B

- Compatible with all gas applications
- Certified to ULC-S605 and UL-441 standards
- Available in diameters of 8" to 36"

CT

- For use in vertical tubing for masonry chimneys
- For independent use on high efficiency gas boilers with condensation, in vertical and/or horizontal, interior or exterior installations
- Certified to ULC and UL standards
- Available in diameters of 5" to 24"

Secure Temp™ ASHT+

- Developed for use with oil, coal and gas appliances venting gases at maximum continuous temperatures of 1000°F. It can safely withstand brief firing at 1700°F as per ULC-S604 standards. This chimney is also suitable for use with closed or open factory-built wood burning fireplaces manufactured by Security Chimneys International or other products certified for use with the Secure Temp™ ASHT+ per ULC-S610 standards

- In the U.S., the Secure Temp™ ASHT+ can be installed with controlled combustion stoves. It has been listed to UL-103HT standards at 2100°F
- Available in 5" to 10" I. D.

Secure Temp™ s-2100+

- Specially developed for use with controlled combustion stoves and wood burning fireplaces, the Secure Temp™ s-2100+ high-temperature chimney has been listed to ULC-S629. Recommended whenever an exterior installation is unavoidable, its superior insulation improves the performance of the chimney and appliance, especially in cold climates
- Available in 6", 7" and 8" I. D.

TUBINOX

- To reline an existing masonry chimney, or to substitute the clay liner in a new masonry chimney
- Certified to ULC-S635M, UL-1777 and ULC-S640M standards
- Available in diameters of 5" and 8"

SP

- For use with pellet stoves
- Certified to ULC-S6095 and UL-641 standards
- Available in diameters of 3" and 4"

DL

- Double-wall black stove connector for use with wood burning stoves listed to UL-641
- Available in diameters of 6", 7" and 8"



- Complete line of decorative and high efficiency wood burning fireplaces

Specifications are subject to change without prior notice.



SECURITY CHIMNEYS INTERNATIONAL

Security Chimneys International Ltd.
2125 Monterey
Laval Québec
Canada H7L 3T6
Tel.: (450) 973-9999
Fax: (450) 973-2222
www.SecurityChimneys.com



CODE: ASV-1
REV: 5-2005

Printed in Canada

REACHING NEW HEIGHTS



OUTSTANDING DESIGN FEATURES

For Superior Performance



Totally airtight, no leakage

- Laser-welded interior and exterior seam.
- No gaskets or silicone required.
- No pop rivets or crimped side seams for optimum aesthetic appeal.



New compression fit, twist-lock design

- Inner flue ultra tight metal-to-metal conical seal, outer flue compression fit.
- Three times tighter than industry standard.



Aluminized steel inner flue

- Less subject to deformation.
- Imparts more rigidity to the vent system.



30-Year Limited Warranty

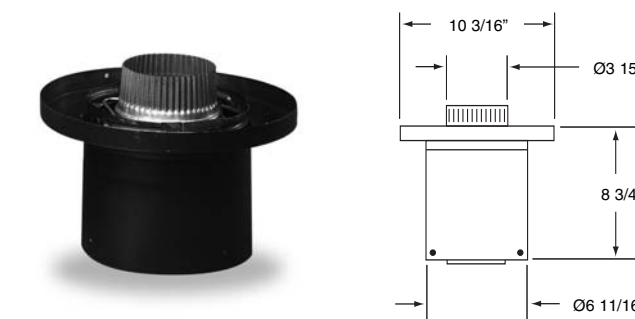
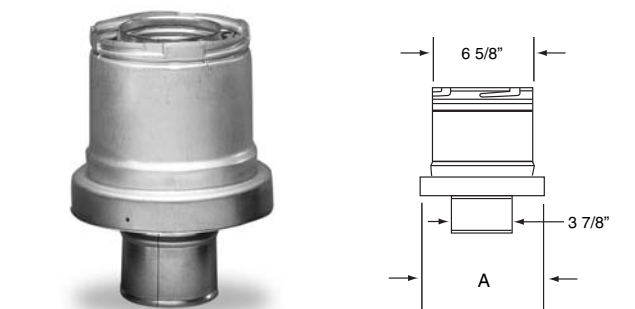
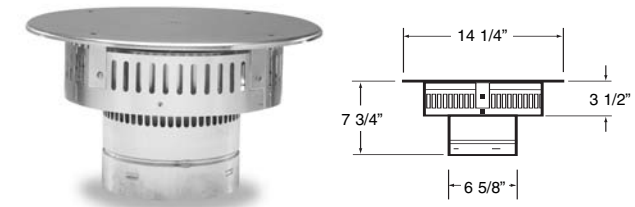
Security Chimneys International guarantees Secure Vent™ with a 30-year limited replacement warranty.

Currently listed or testing with the following brands: Arrow • Dovre • Quadra-Fire • Country Stove • Drolet • Hearth Stone • Jotul • Lennox Hearth Products • Pacific Energy • Sherwood Industries • Thelin Co. • Lopi • Fireplace Xtrodinair • Avalon ... and the list keeps growing!

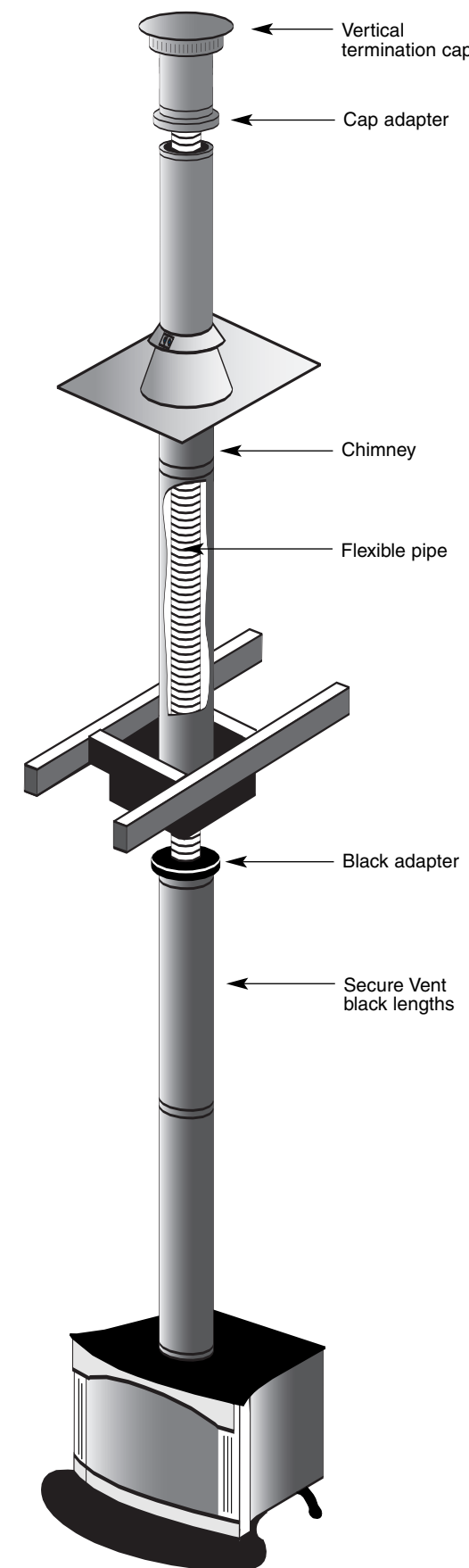
Chimney Conversion Kit

Use our factory-built chimney conversion kit to replace a wood burning stove with a direct vent gas burning stove. A 4" flexible pipe will exhaust gases and air intake will be drawn from inside the factory-built stainless steel chimney. For use with direct vent gas stoves that have a 4" x 6 5/8" flue collar.

Kit includes: Vertical termination cap, cap adapter, black adapter (from SV to Flex) tightening collars for flex and mill-pac tube. The 4" flexible pipe (4F14/35) is sold separately.



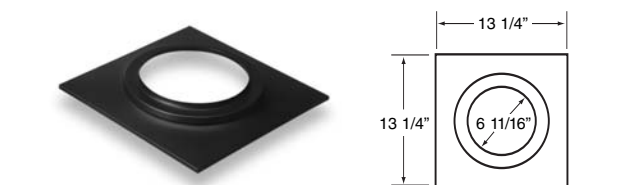
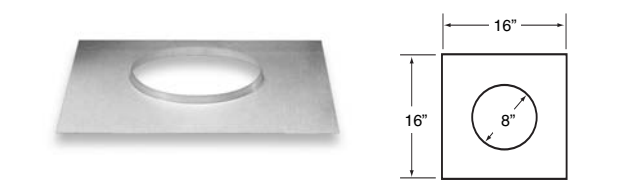
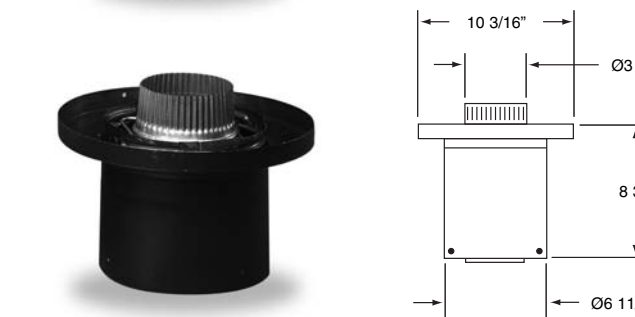
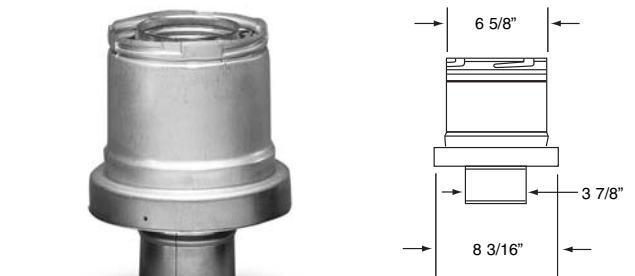
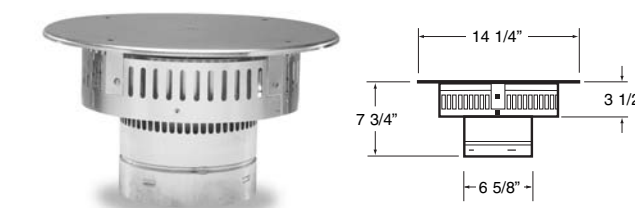
CAT. No	Chimney Size	A
SV4CCK1	6" I.D. - 1" insulation	8 3/16"
SV4CCK2	7" I.D. - 1" insulation	10 1/4"
	8" I.D. - 1" insulation	10 1/4"
	6" I.D. - 2" insulation	10 1/4"
SV4CCK3	10" I.D. - 1" insulation	12 1/4"
	7" I.D. - 2" insulation	12 1/4"
	8" I.D. - 2" insulation	12 1/4"



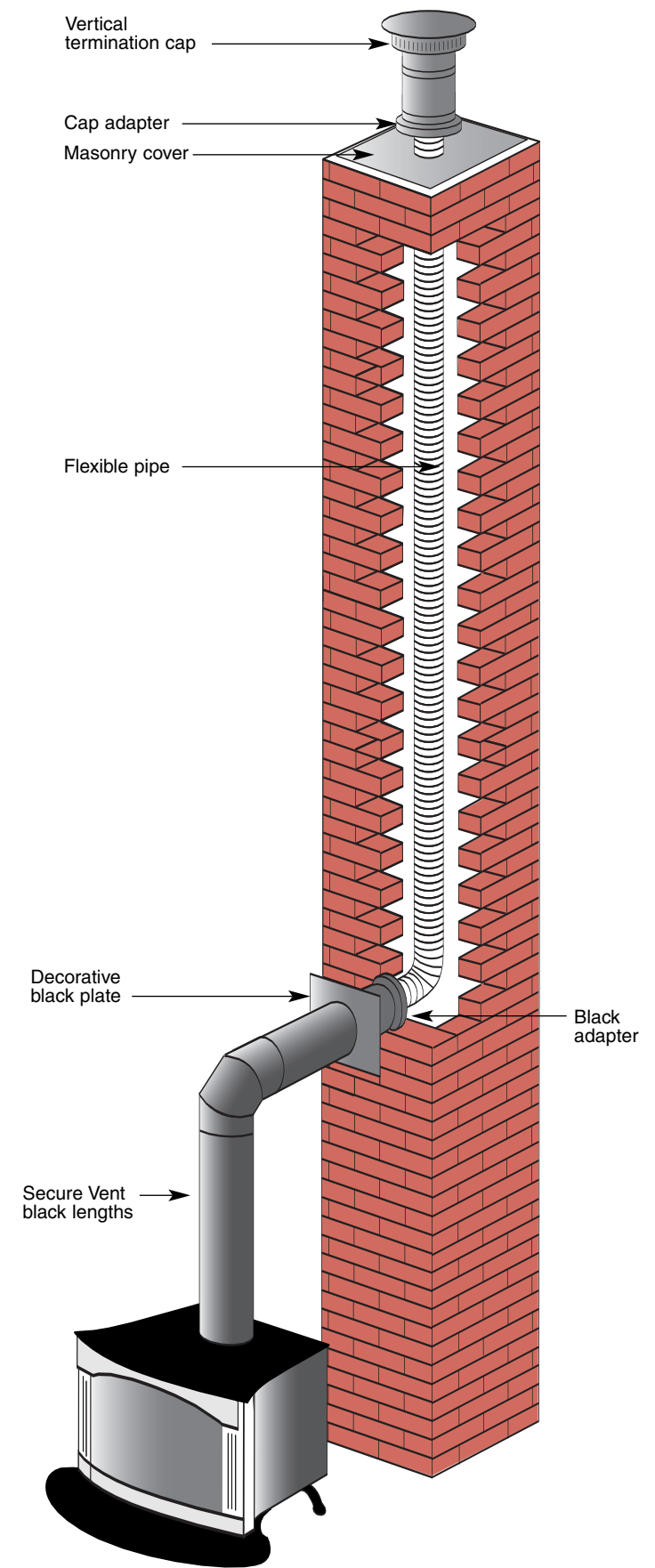
Masonry Chimney Conversion Kit

Use our masonry chimney conversion kit to replace a wood burning stove with a direct vent gas stove. It works in conjunction with your existing masonry chimney. A 4" flexible pipe will vent the exhaust gases and the air intake will be drawn from inside the masonry chimney. For use with direct vent gas stoves that have a 4" x 6 5/8" flue collar.

Kit includes: A vertical cap, cap adapter, masonry cover, black adapter (from SV to Flex), tightening collars for flex and mill-pac tube, and decorative black plate. The 4" flexible pipe (4F14/35) is sold separately.



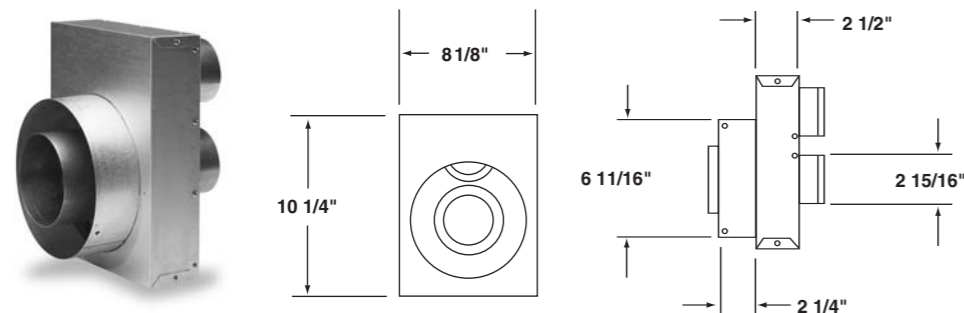
CAT. No
SV4MCK



Coaxial to colinear appliance adapter

Use the coaxial adapter to convert 4" coaxial appliance outlet to 3" colinear flexible venting. Always refer to the appliance manufacturer's installation manual for approval.

SIZE	CAT. No
4" x 6 5/8"	SV4AL
5" x 8"	SV5AL

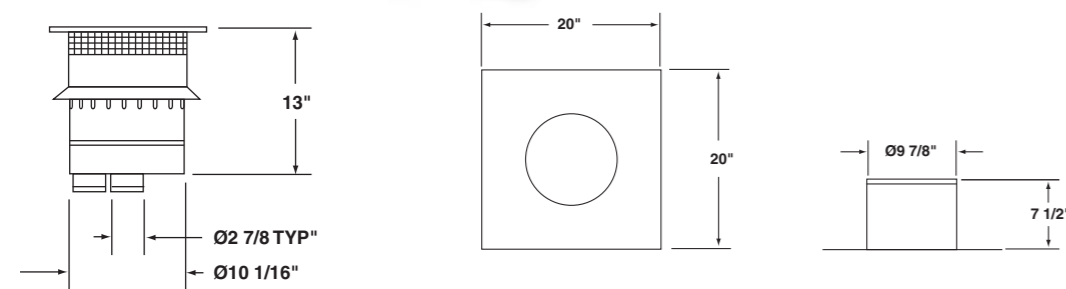


Colinear venting kit

Use the colinear venting kit with appliances (usually inserts) that have 3" colinear outlet. Always refer to the appliance manufacturer's installation manual for approval.

Kit includes: Termination cap, flashing, two 3" flex lengths, locking bands and sealant tube.

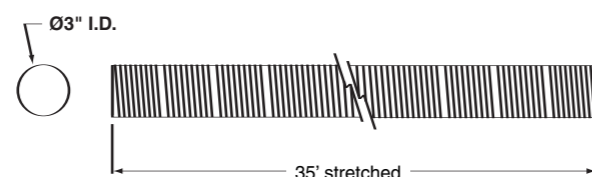
CAT. No	
DV3FK25	Kit with two 3"/25 ft. flexible pipes
DV3FK35	Kit with two 3"/35 ft. flexible pipes



Flexible venting pipe

4" I.D. - 2 ply, (0.005" each) aluminum for use with the chimney and/or masonry conversion kit (35 ft long).

CAT. No
4F14/35



For over 35 years, Security Chimneys International has been a name synonymous with quality, innovation and value.

Our chimneys are among the most widely used in North America. Our latest innovation, the Secure Vent™ Direct Venting System, is destined to become the new industry standard in direct venting systems.

Manufactured with state-of-the-art equipment, Secure Vent™ features a laser-welded interior and exterior seam that is three times tighter than competitive systems. A new compression fit twist-lock design and an ultra tight metal-to-metal conical seal for the inner flue eliminates the need for gaskets or silicone to achieve an airtight seal.

Secure Vent™ has an aluminized steel inner flue that is less subject to deformation and imparts more rigidity to the vent system. The unique spacer design eliminates the need for rivets or crimped side seams, thereby achieving optimum aesthetic appeal.

SECURE VENT™

Features

- Two (2) convenient sizes 4" x 6 5/8" and 5" x 8"
- Warnock Hersey approved
- Backed by Security Chimneys International 30-year limited warranty, technical support and after-sales service
- Painted black lengths and accessories are available to give your stove a pleasing decorative look
- Follow our easy-to-use product codes. Each part has a reference letter which serves to identify the product. The following example will help you to understand our coding system.

DIRECT VENT SYSTEM

AIR TIGHT LEAK PROOF VENT SYSTEM FOR DIRECT VENT GAS BURNING FIREPLACES AND STOVES

Sample Product Code

Secure Vent	Length	6" long
S V 4 L B 6		
Inside Diameter	Painted Black	



Horizontal application



Available in: 4" x 6 1/8" and 5" x 8"

STANDARD HORIZONTAL KIT	Code	HORIZONTAL KIT	Code No: SVØHK	HORIZONTAL KIT	Code No: SVØHK2
Includes:		Includes:		Includes:	
90° Swivel black elbow		90° Swivel black elbow		90° Swivel black elbow	
Decorative black plate		Decorative black plate		Decorative black plate	
Horizontal termination cap		Horizontal termination cap		Horizontal termination cap	
		Adjustable length 12"		Adjustable length 12"	
		Black length 24"		Black length 24"	
				Wall radiation shield	

Vertical kits for fireplace and stove applications

Available in: 4" x 6 5/8" and 5" x 8"

VERTICAL FLAT ROOF KIT	Code No: SVØFK
Includes:	
Flat roof flashing	
Storm collar	
Vertical termination cap	

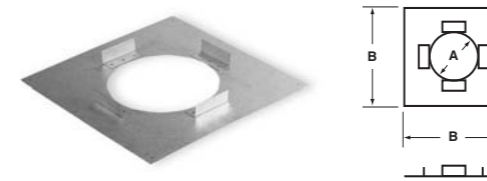
VERTICAL ADJUSTABLE ROOF KIT 1/12 - 7/12	Code No: SVØFAK
Includes:	
Adjustable roof flashing (1/12 - 7/12)	
Storm collar	
Vertical termination cap	

VERTICAL ADJUSTABLE ROOF KIT 8/12 - 12/12	Code No: SVØFBK
Includes:	
Adjustable roof flashing (8/12 - 12/12)	
Storm collar	
Vertical termination cap	



Firestop*

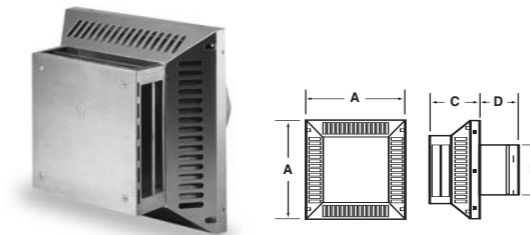
Designed to protect surrounding materials when vent passes through ceiling.



SIZE	CAT. No	A	B
4" x 6 5/8"	SV4BF	6 3/4"	13"
5" x 8"	SV5BF	8 1/8"	14"

Horizontal termination cap

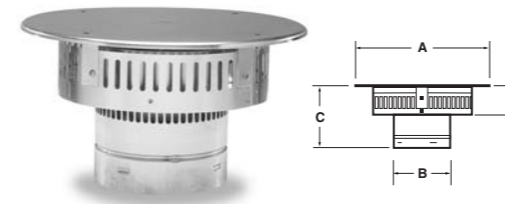
Suitable for high-wind applications.



SIZE	CAT. No	A	B	C	D
4" x 6 5/8"	SV4CHC	13 1/2"	6 5/8"	6 13/16"	5 1/4"
5" x 8"	SV5CHC	13 1/2"	8"	6 13/16"	5 1/4"

Vertical termination cap

Suitable for high-wind applications.



SIZE	CAT. No	A	B	C	D
4" x 6 5/8"	SV4CGV	14 1/4"	6 5/8"	7 3/4"	3 1/2"
5" x 8"	SV5CGV	14 1/4"	8"	7 3/4"	3 1/2"

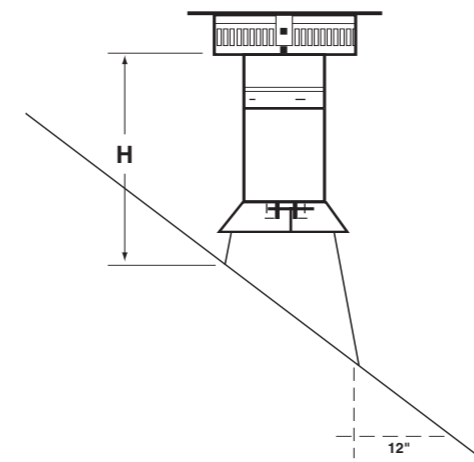
Restrictor disc

Use to restrict incoming combustion air. Always refer with the appliance manufacturer's installation manual.



SIZE	CAT. No	A	B
4" x 6 5/8"	SV4RD	4 9/16"	5 5/16"

Vertical termination chart

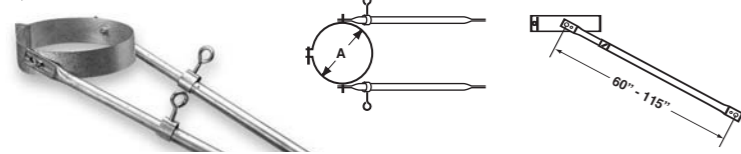


ROOF PITCH	Minimum Height (H)	
	Feet	Meters
Flat to 7/12	1	0.3
Over 7/12 to 8/12	1.5	0.46
Over 8/12 to 9/12	2	0.61
Over 9/12 to 10/12	2.5	0.76
Over 10/12 to 11/12	3.25	0.99
Over 11/12 to 12/12	4	1.22
Over 12/12 to 14/12	5	1.52
Over 14/12 to 16/12	6	1.83
Over 16/12 to 18/12	7	2.13
Over 18/12 to 20/12	7.5	2.29
Over 20/12 to 21/12	8	2.44

*Always refer to the appliance manufacturer's installation manual for proper installation of the Secure Vent™.

Roof brace

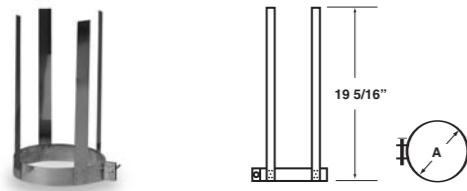
A roof brace should be installed when the vent height is 5 feet above the roof or when the vent is exposed to high winds. This component is supplied with tightening collar and adjustable legs. The legs are adjustable from 60" to 115".



SIZE	CAT. No	A
4" x 6 5/8"	SV4BS	6 5/8"
5" x 8"	SV5BS	8"

Universal support

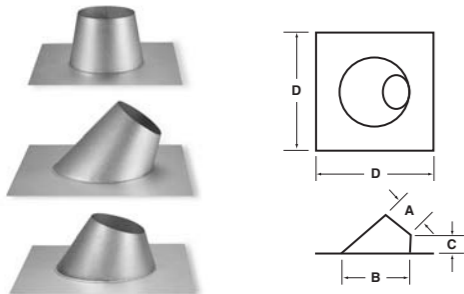
This support is mostly used in offset situations.



SIZE	CAT. No	A
4" x 6 5/8"	SV4SU	6 5/8"
5" x 8"	SV5SU	8"

Roof flashing

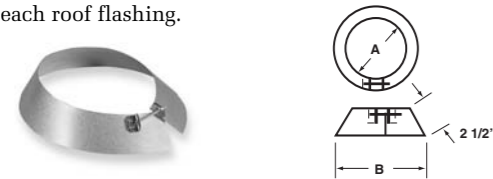
The roof flashing is needed with vertical installations. This component seals the vent lengths protruding from a flat or sloped roof and comes with a storm collar.



SIZE	CAT. No	A	B	C	D
Flat roof flashing					
4" x 6 5/8"	SV4F	6 3/4"	10 5/16"	7"	20"
5" x 8"	SV5F	8 1/8"	10 5/16"	7"	20"
Adjustable roof flashing 1/12 - 7/12					
4" x 6 5/8"	SV4FA	7 1/8"	10 5/16"	4"	20"
5" x 8"	SV5FA	8 1/2"	14 1/8"	5"	24"
Adjustable roof flashing 8/12 - 12/12					
4" x 6 5/8"	SV4FB	7 1/8"	14 1/8"	4 1/2"	24"
5" x 8"	SV5FB	8 1/2"	14 1/8"	4 1/2"	24"

Storm collar

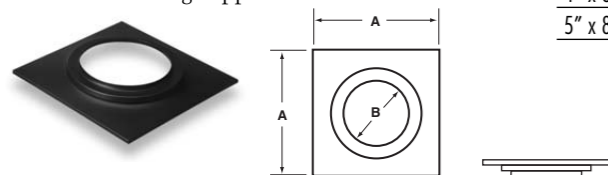
Designed to fit over flashings and provide a watertight seal. Collar is included with each roof flashing.



SIZE	CAT. No	A	B
4" x 6 5/8"	SV4FC	6 5/8"	9 1/8"
5" x 8"	SV5FC	8"	10 1/2"

Decorative black plate

The decorative black plate is used for horizontal through-the-wall installations. It is also used as a decorative ceiling support.



SIZE	CAT. No	A	B
4" x 6 5/8"	SV4PF	13 1/4"	6 11/16"
5" x 8"	SV5PF	14 1/4"	8 1/8"

Lengths

These lengths are available in galvalume or painted black and are offered in 7 standard lengths featuring our unique twist lock assembly.



SIZE 4" X 6 5/8"	CAT. No BLACK	CAT. No GALV.	A	B
Length 6"	SV4LB6	SV4L6	6 5/8"	5 3/4"
Length 12"	SV4LB12	SV4L12	6 5/8"	11 3/4"
Length 24"	SV4LB24	SV4L24	6 5/8"	23 3/4"
Length 36"	SV4LB36	SV4L36	6 5/8"	35 3/4"
Length 48"	SV4LB48	SV4L48	6 5/8"	47 3/4"
Adjustable length (1 1/2" - 6")	SV4LBA	SV4LA	6 11/16"	8 5/8"
Adjustable length (1 1/2" - 12")	SV4LBA12	SV4LA12	6 11/16"	14 5/8"
Adjustable length (1 1/2" - 24")	SV4LBA24	SV4LA24	6 11/16"	23 5/8"

SIZE 5" X 8"	CAT. No BLACK	CAT. No GALV.	A	B
Length 6"	SV5LB6	SV5L6	8"	5 3/4"
Length 12"	SV5LB12	SV5L12	8"	11 3/4"
Length 24"	SV5LB24	SV5L24	8"	23 3/4"
Length 36"	SV5LB36	SV5L36	8"	35 3/4"
Length 48"	SV5LB48	SV5L48	8"	47 3/4"
Adjustable length (1 1/2" - 6")	SV5LBA	SV5LA	8 1/16"	8 5/8"
Adjustable length (1 1/2" - 12")	SV5LBA12	SV5LA12	8 1/16"	14 5/8"
Adjustable length (1 1/2" - 24")	SV5LBA24	SV5LA24	8 1/16"	23 5/8"

Elbows 45°/90°

These 45° and 90° swivel elbows are available in galvalume or painted black.



Swivel elbows

SIZE 4" X 6 5/8"	CAT. No BLACK	CAT. No GALV.	A	B	C
Elbow 45°	SV4EB45	SV4E45	6 5/8"	4 11/16"	-
Elbow 90°	SV4EB90	SV4E90	6 5/8"	8"	4 11/16"

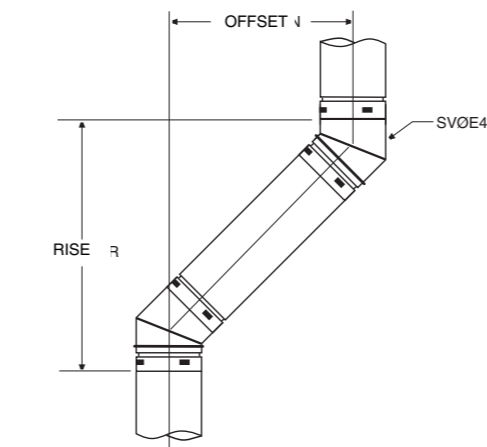
SIZE 5" X 8"	CAT. No BLACK	CAT. No GALV.	A	B	C
Elbow 45°	SV5EB45	SV5E45	8"	4 11/16"	-
Elbow 90°	SV5EB90	SV5E90	8"	8"	4"

45° and 90° non swivel elbows

SIZE 4" X 6 5/8"	CAT. No BLACK	A	B	C
Elbow 45°	SV4EBR45	6 5/8"	4 11/16"	-
Elbow 90°	SV4EBR90	6 5/8"	8"	4 11/16"

SIZE 5" X 8"	CAT. No BLACK	A	B	C
Elbow 45°	SV5EBR45	8"	4 11/16"	-
Elbow 90°	SV5EBR90	8"	8"	4"

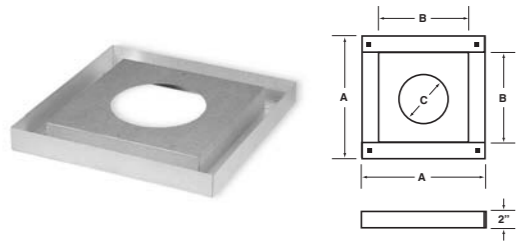
Offset chart



	ELBOW	PIPE SIZE	NO LENGTH	ONE LENGTH BETWEEN ELBOWS				
				6"	12"	24"	36"	48"
Offset	45°	4" & 5"	5 1/2"	8 1/2"	12 7/8"	21 1/4"	29 3/4"	38 1/4"
Rise	45°	4" & 5"	13 1/2"	16 1/2"	20 3/4"	29 1/4"	37 5/8"	46 1/8"

Vinyl shield

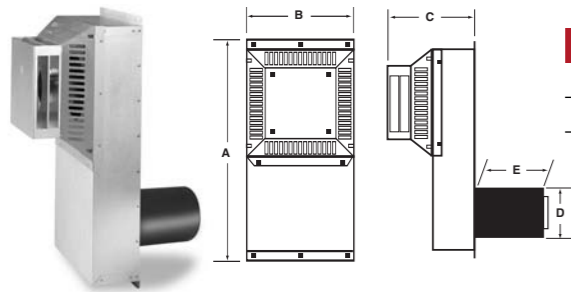
It is recommended to install a vinyl shield protector with a horizontal installation. The shield will protect the vinyl from waving or discoloration.



SIZE	CAT. No	A	B	C
4" x 6 5/8"	SV4VS	17 5/16"	13 5/16"	6 7/8"
5" x 8"	SV5VS	19 13/16"	15 13/16"	8 1/4"

Snorkel termination cap

It is recommended to install a snorkel termination cap when horizontal termination is too close to the ground.

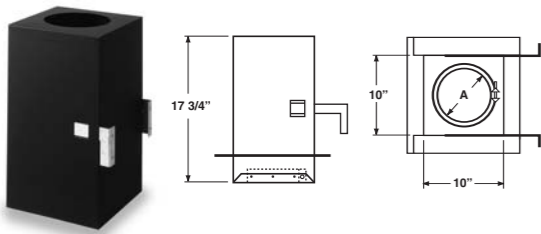


SIZE 4" X 6 5/8"	CAT. No	A	B	C	D	E
Snorkel cap 14"	SV4STC14	28"	13 1/2"	10 15/16"	6 11/16"	9 1/4"
Snorkel cap 36"	SV4STC36	50"	13 1/2"	10 15/16"	6 11/16"	9 1/4"

SIZE 5" X 8"	CAT. No	A	B	C	D	E
Snorkel cap 14"	SV5STC14	28"	13 1/2"	10 15/16"	8 1/16"	9 1/4"
Snorkel cap 36"	SV5STC36	50"	13 1/2"	10 15/16"	8 1/16"	9 1/4"

Adjustable decorative square cathedral support

Decorative black box used in cathedral ceiling applications with tightening collar and adjustable framing arms.

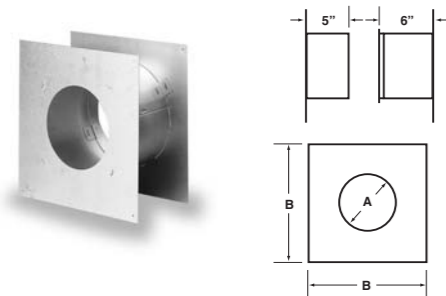


SIZE	CAT. No	A
4" x 6 5/8"	SV4CSB	6 3/4"
5" x 8"	SV5CSB	8 1/8"

The framing arms are adjustable from 1" to 7 3/4".

Wall radiation shield*

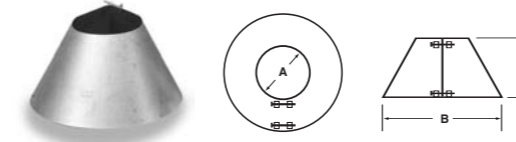
Designed to protect surrounding combustible materials when vent passes through the wall. Comes in two pieces.



SIZE	CAT. No	A	B
4" x 6 5/8"	SV4RSM	6 3/4"	13"
5" x 8"	SV5RSM	8 1/8"	14"

Collar for decorative square cathedral support

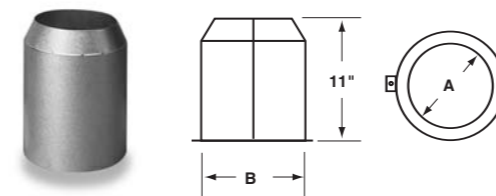
This collar is to be installed on the adjustable square cathedral support. It prevents insulation from seeping between the vent and the support.



SIZE	CAT. No	A	B	C
4" x 6 5/8"	SV4AC	6 5/8"	14 5/8"	7"
5" x 8"	SV5AC	8"	14 1/4"	5 1/2"

Attic radiation shield

This cone shape component is used when the vent passes through an attic. It prevents insulation from seeping between the vent and the firestop while maintaining 1" clearance from surrounding combustible material.



SIZE	CAT. No	A	B
4" x 6 5/8"	SV4RSA	6 13/16"	8 5/8"
5" x 8"	SV5RSA	8 1/8"	10 1/8"

Adjustable wall band

Serves to stabilize the vent while providing the required clearances.



SIZE	CAT. No	A	B
4" x 6 5/8"	SV4BM	6 3/4"	1 5/8" to 4 5/8"
5" x 8"	SV5BM	8"	1" to 4"

Roof support

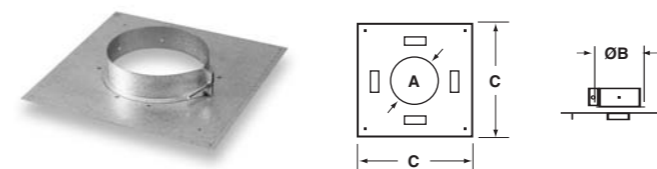
This support is usually attached to the roof structure. It will support the vent in vertical applications.



SIZE	CAT. No	A	B
4" x 6 5/8"	SV4ST	6 5/8"	14 5/8"
5" x 8"	SV5ST	8"	16"

Floor support

The support is used mostly in vertical installation when the vent runs through a floor. It maintains a 1" clearance from combustible materials. A tightening collar locked around the vent, secured by self tapping screws rests on the plate. Can be screwed or nailed to the floor.



SIZE	CAT. No	A	B	C
4" x 6 5/8"	SV4SD	6 3/4"	7 5/8"	13"
5" x 8"	SV5SD	8 1/8"	9"	14"