

SECURITY CHIMNEYS
INTERNATIONAL®

INSTALLATION AND OPERATING INSTRUCTIONS

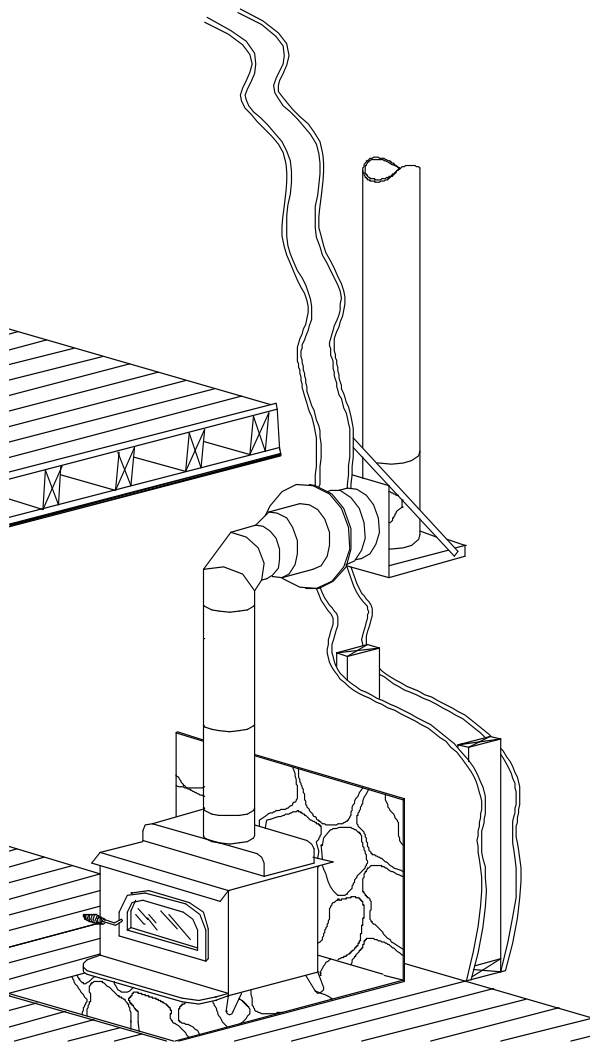
6", 7" AND 8" DIAMETER
SINGLE WALL CONNECTOR

P/N 506128-08 REV. A 01/2013

MODEL SW

This installation manual will enable you to obtain a safe, efficient and dependable installation of this single wall connector pipe to a manufactured chimney. Please read and understand these instructions before beginning your installation.

Do not alter or modify the components of this single wall connector system under any circumstances. Any modification or alteration of the single wall connector system or approved accessories, including but not limited to the appliance it is connected to, may void the warranty of this system and could result in an unsafe and potentially dangerous installation.



**SAVE THESE INSTRUCTIONS
FOR FUTURE REFERENCE**

! WARNINGS

FAILURE TO FOLLOW THESE INSTALLATION INSTRUCTIONS COULD CAUSE FIRE, CARBON MONOXIDE POISONING, OR DEATH. IF YOU ARE UNSURE OF INSTALLATION REQUIREMENTS, CALL THE PHONE NUMBER LISTED ON THE BACK OF THESE INSTRUCTIONS.

A MAJOR CAUSE OF STOVE PIPE OR CHIMNEY RELATED FIRE IS FAILURE TO MAINTAIN REQUIRED CLEARANCES (AIR SPACES) TO COMBUSTIBLE MATERIALS. IT IS OF UTMOST IMPORTANCE THAT THIS SINGLE WALL CONNECTOR SYSTEM BE INSTALLED ONLY IN ACCORDANCE WITH THESE INSTRUCTIONS.

We recommend that the installation be performed by an installer certified by the National Fireplace Institute® (NFI). www.nficertified.org



CONGRATULATIONS!

You have made a wise choice in your selection of a SECURITY® Model SW, stove connector. You have purchased a fine quality system, researched and developed to precise standards of quality in manufacturing.

It's so easy to install ... you can do it step-by-step. Each component is designed to fit together perfectly and easily. If you are handy with a few basic tools and have a general knowledge of carpentry, you can install your SECURITY Model SW stove connector system over a weekend or have a professional install it for you in a few hours.

Before you install your SECURITY Model SW System, read these instructions carefully and follow them exactly.

WARNING

The SECURITY Model SW stove connector must not be used as a chimney.

Read these instructions and keep them for future reference.

Install the connector as described in these instructions. Failure to do so will void the certification and the warranty of this connector.

WOOD AND COAL STOVES

If you are planning to install a wood stove, we recommend that you:

1. Choose a stove that has a label of a recognized Testing Laboratory (such as ULC, WH, ITS, UL or OMNI).
2. Choose the right size stove. Do not buy one larger than you need.
3. Connect only one appliance to a chimney.
4. Never overfire your stove. If any part of the stove or stove pipe is glowing red, then you are overfiring. Immediately close the stove's dampers until the system cools. The high temperatures caused by overfiring can permanently damage the stove and may overheat nearby combustible walls and furniture.
5. Install the stove and stove pipe as described in the Installation Instructions accompanying the stove. Be certain to maintain the required clearances to combustible construction.
6. Keep your flue gases between 300° F and 500° F. This will maximize efficiency while minimizing condensation and creosote formation. Do not fill your stove with wood and allow it to smolder for 8 to 10 hours. This condition produces large amounts of creosote in the chimney.
7. Do not burn sea driftwood or treated wood. Salt (NaCl) and chemical components are highly corrosive to all types of stainless steel.

LIST OF COMPONENTS AVAILABLE

SECURITY Model SW Stove connector	
SWLA	Adjustable length (3" to 9")
SWLT	Telescopic length (3'6" to 5'6")
SWL	Length 6", 12", 24", 36" and 48"
SWE45	45° elbow
SWE90	90° elbow
SWT	90° Tee
UP	Chimney adaptor
SWMA	Masonry chimney adaptor
SWAB	Stove adaptor
SWIN	Increaser
SWR	Reducer
SWOA	Oval to round adaptor
PB / XPB	Decorative collar for ASHT or S-2100
SWLK	Damper

Table 1

GENERAL INFORMATION

CREOSOTE - Smoke from a wood fire always contains some unburned gases and a fog of unburned tarlike liquids. When these materials condense they form a dark brown or black deposit called creosote. Creosote formation in a chimney cannot be eliminated, but it can be minimized by:

1. Keeping the temperature of the gases in the chimney above 300°F.
2. Making small hot fires rather than slow burning, smoldering fires.

COAL - Some coals contain large quantities of Sulphur (up to 7%). When coal is burned, Sulphur and coal ashes are deposited in the chimney flue. This deposit combines with moisture to form a highly corrosive acid (Sulphuric Acid). In order to protect your chimney connector, we recommend that you:

1. Burn only low Sulphur coals (less than 1% Sulphur).
2. Have your chimney cleaned within 48 hours of shutting down your stove at the end of the heating season. Be certain that all the soot is removed. Wipe the chimney flue using a strong solution of baking soda and water. This can be done by wrapping a rag around a chimney cleaning brush, dipping it in the baking soda-water solution, then passing it through the chimney three or four times.

CHIMNEY OPERATION AND MAINTENANCE

Keep your chimney and connector clean.

Wood stoves can quickly create large deposits of creosote in the chimney. Some wood stoves can create enough creosote in two weeks to cause a chimney fire.

When using a wood stove, we recommend that you :

1. Initially inspect the chimney system weekly. From this you will learn how often it will be necessary to clean your chimney.
2. The chimney should be inspected at least once every 2 months during the heating season to determine if a creosote or soot build-up has occurred: if creosote or soot has accumulated, it should be removed to reduce the risk of chimney fire.
3. Have your chimney cleaned by a qualified chimney sweep. If you want to clean your chimney yourself, then clean your liner using plastic, wood or stainless steel brushes. Do not use a brush that will scratch the stainless steel interior of the chimney.
4. Do not expect chemical chimney cleaners to keep your chimney clean. Their use does not negate the necessity of periodically inspecting and cleaning your chimney.

CHIMNEY FIRES

If you are having a chimney fire, follow these steps :

1. Close all heater doors and combustion air controls.
2. Alert your family to the possible danger.
3. If you require assistance, alert your Fire Department.
4. If possible, use a dry chemical extinguisher, baking soda or sand to control the fire. Do not use water, as it may cause a dangerous steam explosion.
5. Watch for smouldering or fire on combustibles next to the stove, stove pipe and chimney. Check outside to ensure that sparks and hot embers coming out of the chimney are not igniting the roof.
6. Do not use the stove again until your chimney, connector and stove have been inspected by a qualified chimney sweep or Fire Department Inspector.

INSTALLATION NOTES

1. This single wall stove pipe is used to connect a solid, liquid or gas fired appliance to a factory built or masonry chimney.
2. Install the chimney and stove in accordance with their Installation Instructions.
3. The clearance between the stove pipe and combustible material must not be less than 18 inches (45.7 cm).
4. Do not enclose this stove pipe.
5. This stove pipe must not pass through attics, closets, walls or ceilings.
6. FOR MOST STRAIGHT INSTALLATIONS, only a telescopic length will be required. The telescopic length adjusts from 3'6" to 5'6".
7. **FOR INSTALLATIONS THAT REQUIRE MORE THAN ONE LENGTH, WE RECOMMEND THAT THE MAXIMUM VERTICAL LENGTH OF SINGLE WALL BLACK CONNECTOR THAT CAN BE INSTALLED SHOULD BE 20'.**

8. Never use a single wall connector (stove pipe) in mobile home installations.

MASONRY CHIMNEY

Have your chimney inspected by a qualified chimney sweep or Fire Department Inspector before using it. Masonry chimneys should only be used if they are in good condition and have been built to the National Building Code.

There should be a horizontal opening into the chimney through a non combustible wall. Fit the Masonry Adaptor (SWMA) into this hole (see *figure 1*). Attach the adaptor collar to the masonry wall using screws and masonry anchors. Seal the joint between the collar and the masonry with a high temperature silicone caulking.

Continue with the instructions on *page 4*.

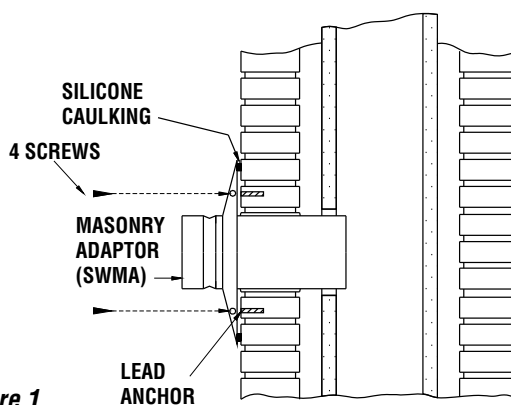
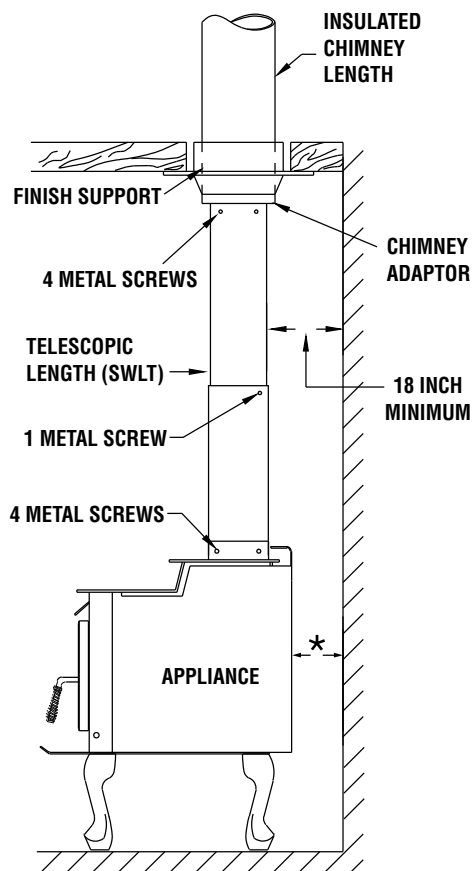


Figure 1

STRAIGHT INSTALLATION

1. Stack the telescopic length on top of the appliance and attach it to the appliance using 4 metal screws provided.
2. Remove the screw locking the top and bottom of the telescopic length together. Extend the telescopic length up to the chimney and fit it snugly over the chimney adaptor. Attach it to the adaptor using the 4 metal screws (see *figure 2*).
3. Secure the top and bottom parts of the telescopic length together using one metal screw.



*** See appliance manufacturer's installation instructions for this clearance.**

Figure 2

STOVE ADAPTOR (SWAB)

Some stove collars are too small for the telescopic length to fit inside. In this case, install a stove adaptor (SWAB) on the stove. The telescopic length will fit in the adaptor.

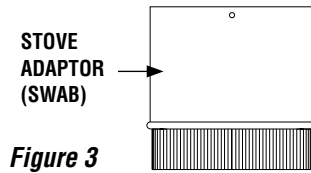


Figure 3

OFFSET INSTALLATION

90° ELBOW

1. Attach the chimney adaptor to the bottom of the chimney using the 4 metal screws provided.
2. Stack the telescopic length (SWLT) on top of the appliance and attach it to the appliance using the 4 metal screws.
3. Stack the 90° elbow (SWE90) on top of the telescopic length and secure using 4 metal screws.
4. Remove the screw locking the top and bottom of the telescopic length together in order to reach the necessary length.
5. Use an adjustable (SWLA) or fixed length (SWL) of stove pipe horizontally between the 90° elbow (SWE90) and chimney. Attach this length to the elbow and to the chimney adaptor, using the 4 metal screws provided.
6. Secure the top and bottom parts of the telescopic length together using one metal screw.
7. If you wish, you may cover the joint between the chimney and the chimney connector, using a decorative collar.

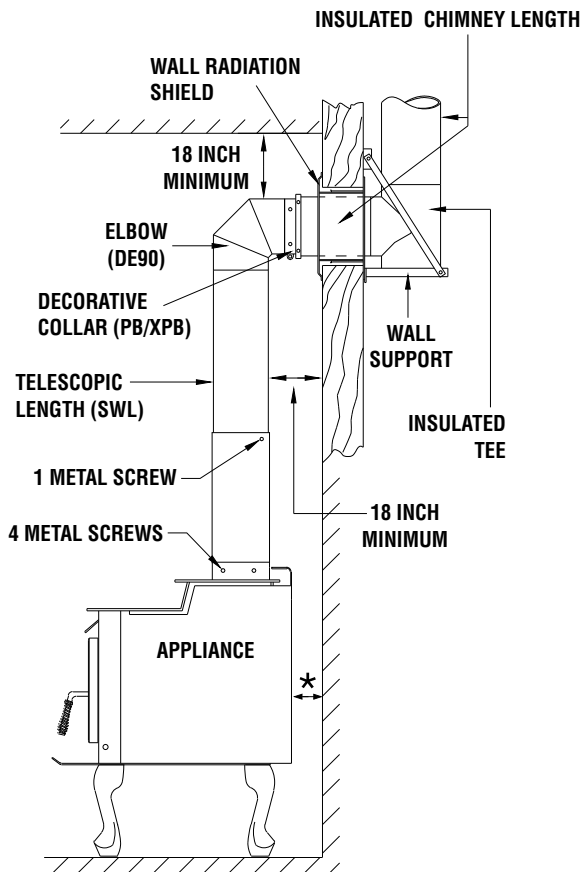


Figure 4

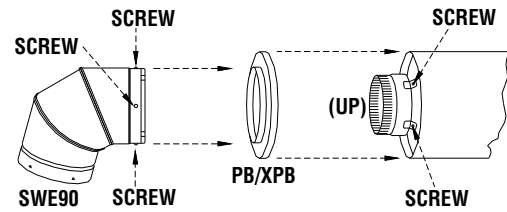


Figure 5

* See appliance manufacturer's installation instructions for this clearance.

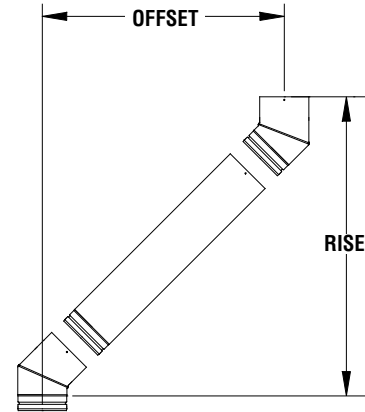


Figure 6

Elbow 45 SW		Length between elbows (inches)				
Diameter		none	6in	12in	24in	36in
6	Offset	2-1/4	5-1/4	9-1/2	18	26-1/2
	Rise	11-1/4	14-1/4	18-1/2	27	35-1/2
7	Offset	3	6	10-1/4	18-3/4	27-1/4
	Rise	12	15	19-1/4	27-3/4	36-1/4
8	Offset	3-1/4	6-1/4	10-1/2	19	27-1/2
	rise	13-1/2	16-1/2	20-3/4	29-1/4	37-3/4

Table 2

WARRANTY

These products have a 5-year limited warranty. Please read the warranty to be familiar with its coverage.

Retain this document. File it with your other documents for future reference.

PRODUCT REFERENCE INFORMATION

Please contact Security Chimneys International for the phone number of your nearest Security Chimneys International dealer who will answer your questions or address your concerns.

Normally, all parts should be ordered through your Security Chimneys International distributor or dealer. Parts will be shipped at prevailing prices at time of order.

When ordering repair parts, always give the following information:

1. The model number of the chimney system.
2. The part number.
3. The description of the part.
4. The quantity required.
5. The installation date of the chimney system.

If you encounter any problems or have any questions concerning the installation or application of this system, please contact your dealer.

SECURITY CHIMNEYS INTERNATIONAL LIMITED

2125 Monterey street
Laval, Québec, Canada, H7L 3T6
(450) 973-9999

Visit us at www.securitychimneys.com

Security Chimneys International Limited reserves the right to make changes at any time, without notice, in design, materials, specifications, prices. Consult your local distributor for chimney system code information.